

Excellent Integrated System Limited

Stocking Distributor

Click to view price, real time Inventory, Delivery & Lifecycle Information:

[STMicroelectronics](#)
[STM32F030C6T6](#)

For any questions, you can email us directly:

sales@integrated-circuit.com



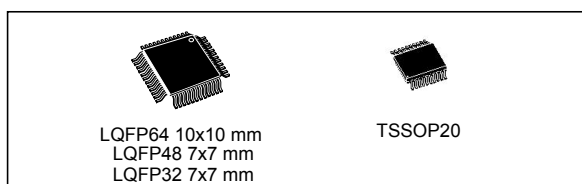
STM32F030x4 STM32F030x6 STM32F030x8 STM32F030xC

Value-line ARM[®]-based 32-bit MCU with up to 256-KB Flash, timers, ADC, communication interfaces, 2.4-3.6 V operation

Datasheet - production data

Features

- Core: ARM[®] 32-bit Cortex[®]-M0 CPU, frequency up to 48 MHz
- Memories
 - 16 to 256 Kbytes of Flash memory
 - 4 to 32 Kbytes of SRAM with HW parity
- CRC calculation unit
- Reset and power management
 - Digital & I/Os supply: $V_{DD} = 2.4\text{ V to }3.6\text{ V}$
 - Analog supply: $V_{DDA} = V_{DD}$ to 3.6 V
 - Power-on/Power down reset (POR/PDR)
 - Low power modes: Sleep, Stop, Standby
- Clock management
 - 4 to 32 MHz crystal oscillator
 - 32 kHz oscillator for RTC with calibration
 - Internal 8 MHz RC with x6 PLL option
 - Internal 40 kHz RC oscillator
- Up to 55 fast I/Os
 - All mappable on external interrupt vectors
 - Up to 55 I/Os with 5V tolerant capability
- 5-channel DMA controller
- One 12-bit, 1.0 μs ADC (up to 16 channels)
 - Conversion range: 0 to 3.6 V
 - Separate analog supply: 2.4 V to 3.6 V
- Calendar RTC with alarm and periodic wakeup from Stop/Standby
- 11 timers
 - One 16-bit advanced-control timer for six-channel PWM output
 - Up to seven 16-bit timers, with up to four IC/OC, OCN, usable for IR control decoding
 - Independent and system watchdog timers
 - SysTick timer



- Communication interfaces
 - Up to two I²C interfaces
 - one supporting Fast Mode Plus (1 Mbit/s) with 20 mA current sink,
 - one supporting SMBus/PMBus.
 - Up to six USARTs supporting master synchronous SPI and modem control; one with auto baud rate detection
 - Up to two SPIs (18 Mbit/s) with 4 to 16 programmable bit frames
- Serial wire debug (SWD)
- All packages ECOPACK[®]2

Table 1. Device summary

Reference	Part number
STM32F030x4	STM32F030F4
STM32F030x6	STM32F030C6, STM32F030K6
STM32F030x8	STM32F030C8, STM32F030R8
STM32F030xC	STM32F030CC, STM32F030RC

Contents

1	Introduction	8
2	Description	9
3	Functional overview	12
3.1	ARM [®] -Cortex [®] -M0 core with embedded Flash and SRAM	12
3.2	Memories	12
3.3	Boot modes	12
3.4	Cyclic redundancy check calculation unit (CRC)	13
3.5	Power management	13
3.5.1	Power supply schemes	13
3.5.2	Power supply supervisors	13
3.5.3	Voltage regulator	13
3.5.4	Low-power modes	14
3.6	Clocks and startup	14
3.7	General-purpose inputs/outputs (GPIOs)	15
3.8	Direct memory access controller (DMA)	16
3.9	Interrupts and events	16
3.9.1	Nested vectored interrupt controller (NVIC)	16
3.9.2	Extended interrupt/event controller (EXTI)	16
3.10	Analog to digital converter (ADC)	17
3.10.1	Temperature sensor	17
3.10.2	Internal voltage reference (V_{REFINT})	17
3.11	Timers and watchdogs	18
3.11.1	Advanced-control timer (TIM1)	19
3.11.2	General-purpose timers (TIM3, TIM14..17)	19
3.11.3	Basic timers TIM6 and TIM7	20
3.11.4	Independent watchdog (IWDG)	20
3.11.5	System window watchdog (WWDG)	20
3.11.6	SysTick timer	20
3.12	Real-time clock (RTC)	21
3.13	Inter-integrated circuit interfaces (I ² C)	21
3.14	Universal synchronous/asynchronous receiver transmitters (USART) ..	22

Contents	STM32F030x4/6/8/C
3.15	Serial peripheral interface (SPI) 23
3.16	Serial wire debug port (SW-DP) 23
4	Pinouts and pin descriptions 24
5	Memory mapping 38
6	Electrical characteristics 41
6.1	Parameter conditions 41
6.1.1	Minimum and maximum values 41
6.1.2	Typical values 41
6.1.3	Typical curves 41
6.1.4	Loading capacitor 41
6.1.5	Pin input voltage 41
6.1.6	Power supply scheme 42
6.1.7	Current consumption measurement 43
6.2	Absolute maximum ratings 43
6.3	Operating conditions 45
6.3.1	General operating conditions 45
6.3.2	Operating conditions at power-up / power-down 45
6.3.3	Embedded reset and power control block characteristics 46
6.3.4	Embedded reference voltage 46
6.3.5	Supply current characteristics 46
6.3.6	Wakeup time from low-power mode 53
6.3.7	External clock source characteristics 54
6.3.8	Internal clock source characteristics 60
6.3.9	PLL characteristics 61
6.3.10	Memory characteristics 62
6.3.11	EMC characteristics 62
6.3.12	Electrical sensitivity characteristics 64
6.3.13	I/O current injection characteristics 65
6.3.14	I/O port characteristics 65
6.3.15	NRST pin characteristics 71
6.3.16	12-bit ADC characteristics 73
6.3.17	Temperature sensor characteristics 76
6.3.18	Timer characteristics 76
6.3.19	Communication interfaces 77

STM32F030x4/6/8/C

Contents

7	Package characteristics	81
	7.1 Package mechanical data	81
	7.2 Thermal characteristics	93
	7.2.1 Reference document	93
8	Part numbering	94
9	Revision history	95

List of tables

Table 1.	Device summary	1
Table 2.	STM32F030x4/6/8/C family device features and peripheral counts	10
Table 3.	Temperature sensor calibration values	17
Table 4.	Internal voltage reference calibration values	17
Table 5.	Timer feature comparison	18
Table 6.	Comparison of I2C analog and digital filters	21
Table 7.	STM32F030x4/6/8/C I ² C implementation	22
Table 8.	STM32F030x4/6/8/C USART implementation	22
Table 9.	STM32F030x4/6/8/C SPI implementation	23
Table 10.	Legend/abbreviations used in the pinout table	27
Table 11.	STM32F030x4/6/8/C pin definitions	28
Table 12.	Alternate functions selected through GPIOA_AFR registers for port A	34
Table 13.	Alternate functions selected through GPIOB_AFR registers for port B	35
Table 14.	Alternate functions selected through GPIOC_AFR registers for port C	37
Table 15.	Alternate functions selected through GPIOD_AFR registers for port D	37
Table 16.	Alternate functions selected through GPIOF_AFR registers for port F	37
Table 17.	STM32F030x4/6/8/C peripheral register boundary addresses	39
Table 18.	Voltage characteristics	43
Table 19.	Current characteristics	44
Table 20.	Thermal characteristics	44
Table 21.	General operating conditions	45
Table 22.	Operating conditions at power-up / power-down	45
Table 23.	Embedded reset and power control block characteristics	46
Table 24.	Embedded internal reference voltage	46
Table 25.	Typical and maximum current consumption from V _{DD} supply at V _{DD} = 3.6 V	47
Table 26.	Typical and maximum current consumption from the V _{DDA} supply	48
Table 27.	Typical and maximum consumption in Stop and Standby modes	49
Table 28.	Typical current consumption in Run mode, code with data processing running from Flash	50
Table 29.	Switching output I/O current consumption	52
Table 30.	Low-power mode wakeup timings	53
Table 31.	High-speed external user clock characteristics	54
Table 32.	Low-speed external user clock characteristics	55
Table 33.	HSE oscillator characteristics	56
Table 34.	LSE oscillator characteristics (f _{LSE} = 32.768 kHz)	58
Table 35.	HSI oscillator characteristics	60
Table 36.	HSI14 oscillator characteristics	60
Table 37.	LSI oscillator characteristics	61
Table 38.	PLL characteristics	61
Table 39.	Flash memory characteristics	62
Table 40.	Flash memory endurance and data retention	62
Table 41.	EMS characteristics	63
Table 42.	EMI characteristics	63
Table 43.	ESD absolute maximum ratings	64
Table 44.	Electrical sensitivities	64
Table 45.	I/O current injection susceptibility	65
Table 46.	I/O static characteristics	66
Table 47.	Output voltage characteristics	69

List of tables

STM32F030x4/6/8/C

Table 48.	I/O AC characteristics	70
Table 49.	NRST pin characteristics	71
Table 50.	ADC characteristics	73
Table 51.	R _{AIN} max for f _{ADC} = 14 MHz.	74
Table 52.	ADC accuracy	74
Table 53.	TS characteristics	76
Table 54.	TIMx characteristics	76
Table 55.	IWDG min/max timeout period at 40 kHz (LSI).	77
Table 56.	WWDG min/max timeout value at 48 MHz (PCLK).	77
Table 57.	I2C analog filter characteristics.	78
Table 58.	SPI characteristics	78
Table 59.	LQFP64 - 10 x 10 mm low-profile quad flat package mechanical data.	82
Table 60.	LQFP48 - 7 mm x 7 mm low-profile quad flat package mechanical data	85
Table 61.	LQFP32 - 7 x 7mm 32-pin low-profile quad flat package mechanical data.	88
Table 62.	TSSOP20 - 20-pin thin shrink small outline package mechanical data	91
Table 63.	Package thermal characteristics	93
Table 64.	Ordering information scheme	94
Table 65.	Document revision history.	95

List of figures

Figure 1.	Block diagram	11
Figure 2.	Clock tree	15
Figure 3.	LQFP64 64-pin package pinout (top view), for STM32F030x4/6/8 devices	24
Figure 4.	LQFP64 64-pin package pinout (top view), for STM32F030RC devices	25
Figure 5.	LQFP48 48-pin package pinout (top view), for STM32F030x4/6/8 devices	25
Figure 6.	LQFP48 48-pin package pinout (top view), for STM32F030CC devices	26
Figure 7.	LQFP32 32-pin package pinout (top view)	26
Figure 8.	TSSOP20 20-pin package pinout (top view).	27
Figure 9.	STM32F030x4/6/8/C memory map	38
Figure 10.	Pin loading conditions	41
Figure 11.	Pin input voltage	41
Figure 12.	Power supply scheme	42
Figure 13.	Current consumption measurement scheme	43
Figure 14.	High-speed external clock source AC timing diagram	54
Figure 15.	Low-speed external clock source AC timing diagram	55
Figure 16.	Typical application with an 8 MHz crystal	57
Figure 17.	Typical application with a 32.768 kHz crystal	59
Figure 18.	TC and TTa I/O input characteristics	67
Figure 19.	Five volt tolerant (FT and FTf) I/O input characteristics	68
Figure 20.	I/O AC characteristics definition	71
Figure 21.	Recommended NRST pin protection	72
Figure 22.	ADC accuracy characteristics	75
Figure 23.	Typical connection diagram using the ADC	75
Figure 24.	SPI timing diagram - slave mode and CPHA = 0	79
Figure 25.	SPI timing diagram - slave mode and CPHA = 1	79
Figure 26.	SPI timing diagram - master mode	80
Figure 27.	LQFP64 - 10 x 10 mm 64 pin low-profile quad flat package outline	82
Figure 28.	LQFP64 recommended footprint	83
Figure 29.	LQFP64 marking example (package top view)	84
Figure 30.	LQFP48 - 7 mm x 7 mm, 48 pin low-profile quad flat package outline	85
Figure 31.	LQFP48 recommended footprint	86
Figure 32.	LQFP48 marking example (package top view)	87
Figure 33.	LQFP32 - 7 x 7mm 32-pin low-profile quad flat package outline	88
Figure 34.	LQFP32 recommended footprint	89
Figure 35.	LQFP32 marking example (package top view)	90
Figure 36.	TSSOP20 - 20-pin thin shrink small outline	91
Figure 37.	TSSOP20 recommended footprint	92
Figure 38.	TSSOP20 marking example (package top view)	92

1 Introduction

This datasheet provides the ordering information and mechanical device characteristics of the STM32F030x4/6/8/C microcontrollers.

This document should be read in conjunction with the STM32F0x0xx reference manual (RM0360). The reference manual is available from the STMicroelectronics website www.st.com.

For information on the ARM[®] Cortex[®]-M0 core, please refer to the Cortex[®]-M0 Technical Reference Manual, available from the www.arm.com website.



2 Description

The STM32F030x4/6/8/C microcontrollers incorporate the high-performance ARM[®] Cortex[®]-M0 32-bit RISC core operating at a 48 MHz frequency, high-speed embedded memories (up to 256 Kbytes of Flash memory and up to 32 Kbytes of SRAM), and an extensive range of enhanced peripherals and I/Os. All devices offer standard communication interfaces (up to two I²Cs, up to two SPIs and up to six USARTs), one 12-bit ADC, seven general-purpose 16-bit timers and an advanced-control PWM timer.

The STM32F030x4/6/8/C microcontrollers operate in the -40 to +85 °C temperature range from a 2.4 to 3.6V power supply. A comprehensive set of power-saving modes allows the design of low-power applications.

The STM32F030x4/6/8/C microcontrollers include devices in four different packages ranging from 20 pins to 64 pins. Depending on the device chosen, different sets of peripherals are included. The description below provides an overview of the complete range of STM32F030x4/6/8/C peripherals proposed.

These features make the STM32F030x4/6/8/C microcontrollers suitable for a wide range of applications such as application control and user interfaces, handheld equipment, A/V receivers and digital TV, PC peripherals, gaming and GPS platforms, industrial applications, PLCs, inverters, printers, scanners, alarm systems, video intercoms, and HVACs.

STM32F030x4/6/8/C

Description

Table 2. STM32F030x4/6/8/C family device features and peripheral counts

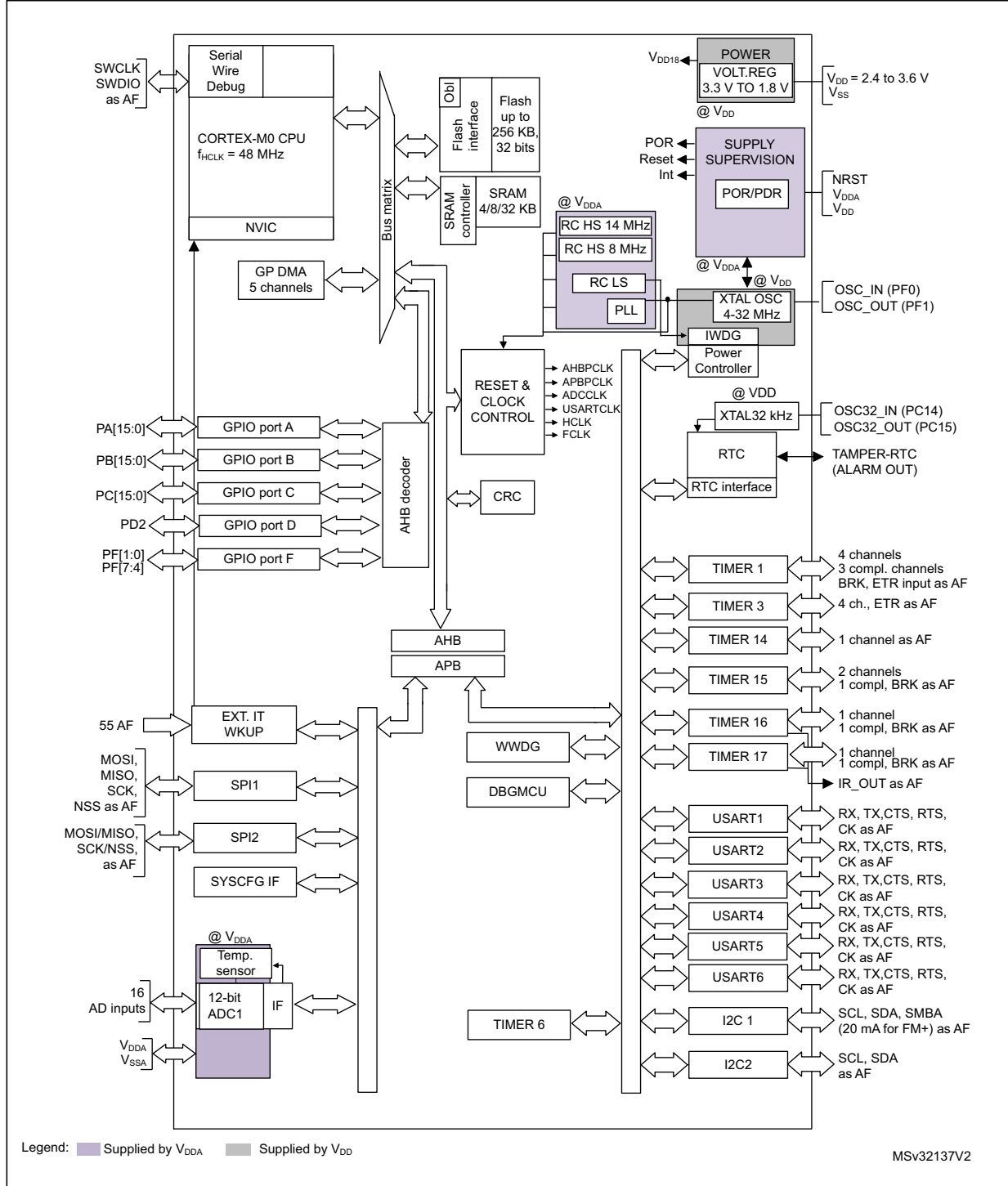
Peripheral	STM32 F030F4	STM32 F030K6	STM32 F030C6	STM32 F030C8	STM32 F030CC	STM32 F030R8	STM32 F030RC	
Flash (Kbytes)	16	32	32	64	256	64	256	
SRAM (Kbytes)	4	4	4	8	32	8	32	
Timers	Advanced control	1 (16-bit)						
	General purpose	4 (16-bit) ⁽¹⁾	4 (16-bit) ⁽¹⁾	4 (16-bit) ⁽¹⁾	5 (16-bit)			
	Basic	-	-	-	1 (16-bit) ⁽²⁾	2 (16-bit)	1 (16-bit) ⁽²⁾	2 (16-bit)
Comm. interfaces	SPI	1 ⁽³⁾	1 ⁽³⁾	1 ⁽³⁾	2	2	2	2
	I ² C	1 ⁽⁴⁾	1 ⁽⁴⁾	1 ⁽⁴⁾	2	2	2	2
	USART	1 ⁽⁵⁾	1 ⁽⁵⁾	1 ⁽⁵⁾	2 ⁽⁶⁾	6	2 ⁽⁶⁾	6
12-bit ADC (number of channels)	1 (11 channels)	1 (12 channels)	1 (12 channels)	1 (12 channels)	1 (12 channels)	1 (18 channels)	1 (18 channels)	
GPIOs	15	26	39	39	37	55	51	
Max. CPU frequency	48 MHz							
Operating voltage	2.4 to 3.6 V							
Operating temperature	Ambient operating temperature: -40°C to 85°C Junction temperature: -40°C to 105°C							
Packages	TSSOP20	LQFP32	LQFP48			LQFP64		

1. TIM15 is not present.
2. TIM7 is not present.
3. SPI2 is not present.
4. I2C2 is not present.
5. USART2 to USART6 are not present.
6. USART3 to USART6 are not present

Description

STM32F030x4/6/8/C

Figure 1. Block diagram



1. TIMER6, TIMER15, SPI, USART2 and I2C2 are available on STM32F030x8/C devices only.
2. USART3, USART4, USART5 and USART6 are available on STM32F030xC devices only.

3 Functional overview

3.1 ARM[®]-Cortex[®]-M0 core with embedded Flash and SRAM

The ARM[®] Cortex[®]-M0 processor is the latest generation of ARM processors for embedded systems. It has been developed to provide a low-cost platform that meets the needs of MCU implementation, with a reduced pin count and low-power consumption, while delivering outstanding computational performance and an advanced system response to interrupts.

The ARM[®] Cortex[®]-M0 32-bit RISC processor features exceptional code-efficiency, delivering the high-performance expected from an ARM core in the memory size usually associated with 8- and 16-bit devices.

The STM32F0xx family has an embedded ARM core and is therefore compatible with all ARM tools and software.

Figure 3 shows the general block diagram of the device family.

3.2 Memories

The device has the following features:

- 4 to 32 Kbytes of embedded SRAM accessed (read/write) at CPU clock speed with 0 wait states and featuring embedded parity checking with exception generation for fail-critical applications.
- The non-volatile memory is divided into two arrays:
 - 16 to 256 Kbytes of embedded Flash memory for programs and data
 - Option bytes

The option bytes are used to write-protect the memory (with 4 KB granularity) and/or readout-protect the whole memory with the following options:

- Level 0: no readout protection
- Level 1: memory readout protection, the Flash memory cannot be read from or written to if either debug features are connected or boot in RAM is selected
- Level 2: chip readout protection, debug features (Cortex[®]-M0 serial wire) and boot in RAM selection disabled

3.3 Boot modes

At startup, the boot pin and boot selector option bit are used to select one of the three boot options:

- Boot from User Flash
- Boot from System Memory
- Boot from embedded SRAM

The boot loader is located in System Memory. It is used to reprogram the Flash memory by using USART on pins PA14/PA15 or PA9/PA10.

3.4 Cyclic redundancy check calculation unit (CRC)

The CRC (cyclic redundancy check) calculation unit is used to get a CRC code using a configurable generator polynomial value and size.

Among other applications, CRC-based techniques are used to verify data transmission or storage integrity. In the scope of the EN/IEC 60335-1 standard, they offer a means of verifying the Flash memory integrity. The CRC calculation unit helps compute a signature of the software during runtime, to be compared with a reference signature generated at link-time and stored at a given memory location.

3.5 Power management

3.5.1 Power supply schemes

- $V_{DD} = 2.4$ to 3.6 V: external power supply for I/Os and the internal regulator. Provided externally through V_{DD} pins.
- $V_{DDA} =$ from V_{DD} to 3.6 V: external analog power supply for ADC, Reset blocks, RCs and PLL (minimum voltage to be applied to V_{DDA} is 2.4 V when the ADC is used). The V_{DDA} voltage level must be always greater or equal to the V_{DD} voltage level and must be provided first.

For more details on how to connect power pins, refer to [Figure 12: Power supply scheme](#).

3.5.2 Power supply supervisors

The device has integrated power-on reset (POR) and power-down reset (PDR) circuits. They are always active, and ensure proper operation above a threshold of 2 V. The device remains in reset mode when the monitored supply voltage is below a specified threshold, $V_{POR/PDR}$, without the need for an external reset circuit.

- The POR monitors only the V_{DD} supply voltage. During the startup phase it is required that V_{DDA} should arrive first and be greater than or equal to V_{DD} .
- The PDR monitors both the V_{DD} and V_{DDA} supply voltages, however the V_{DDA} power supply supervisor can be disabled (by programming a dedicated Option bit) to reduce the power consumption if the application design ensures that V_{DDA} is higher than or equal to V_{DD} .

3.5.3 Voltage regulator

The regulator has two operating modes and it is always enabled after reset.

- Main (MR) is used in normal operating mode (Run).
- Low power (LPR) can be used in Stop mode where the power demand is reduced.

In Standby mode, it is put in power down mode. In this mode, the regulator output is in high impedance and the kernel circuitry is powered down, inducing zero consumption (but the contents of the registers and SRAM are lost).

3.5.4 Low-power modes

The STM32F030x4/6/8/C microcontrollers support three low-power modes to achieve the best compromise between low power consumption, short startup time and available wakeup sources:

- **Sleep mode**

In Sleep mode, only the CPU is stopped. All peripherals continue to operate and can wake up the CPU when an interrupt/event occurs.

- **Stop mode**

Stop mode achieves very low power consumption while retaining the content of SRAM and registers. All clocks in the 1.8 V domain are stopped, the PLL, the HSI RC and the HSE crystal oscillators are disabled. The voltage regulator can also be put either in normal or in low power mode.

The device can be woken up from Stop mode by any of the EXTI lines. The EXTI line source can be one of the 16 external lines and RTC.

- **Standby mode**

The Standby mode is used to achieve the lowest power consumption. The internal voltage regulator is switched off so that the entire 1.8 V domain is powered off. The PLL, the HSI RC and the HSE crystal oscillators are also switched off. After entering Standby mode, SRAM and register contents are lost except for registers in the RTC domain and Standby circuitry.

The device exits Standby mode when an external reset (NRST pin), an IWDG reset, a rising edge on the WKUP pins, or an RTC event occurs.

Note: The RTC, the IWDG, and the corresponding clock sources are not stopped by entering Stop or Standby mode.

3.6 Clocks and startup

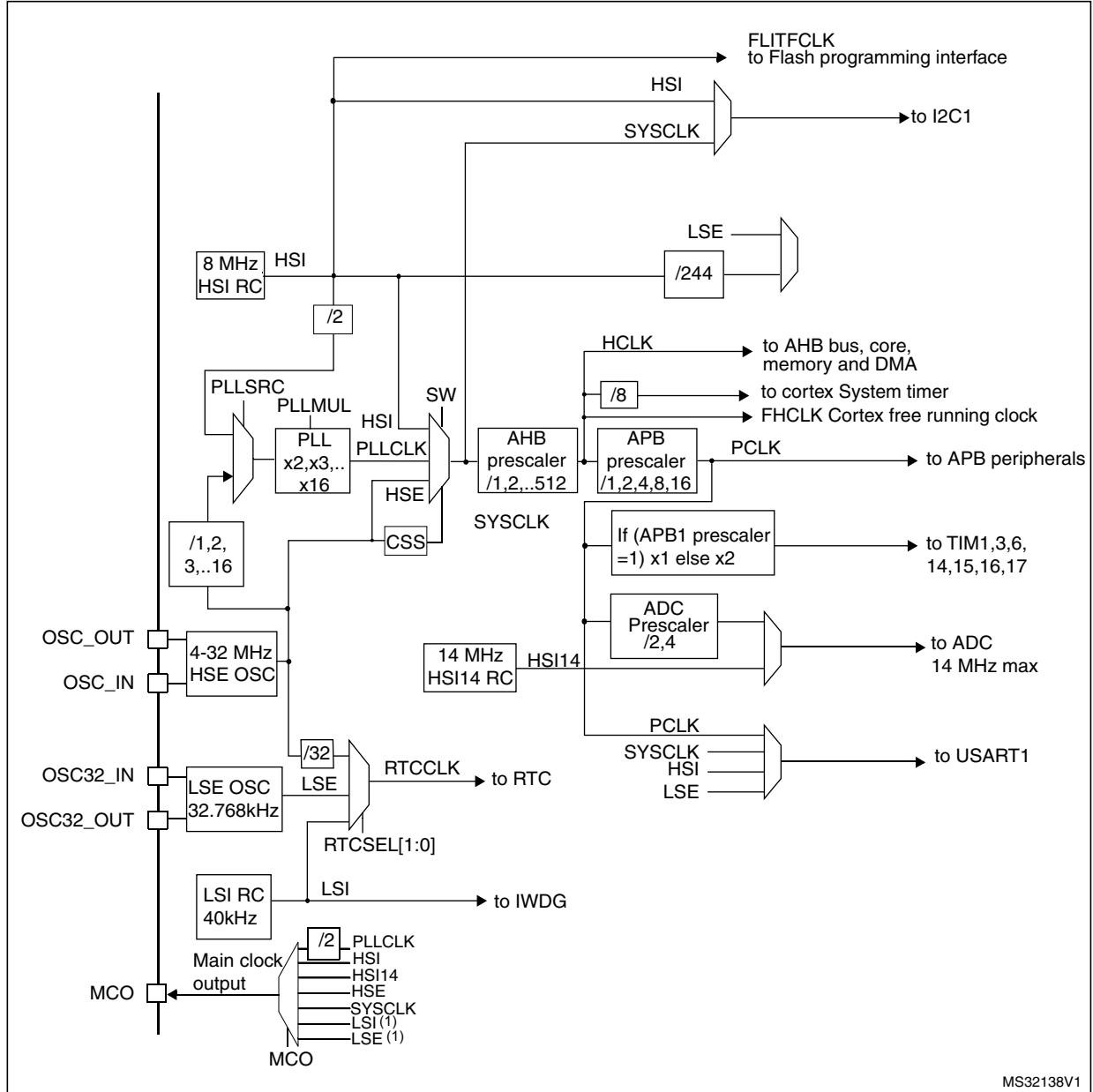
System clock selection is performed on startup, however the internal RC 8 MHz oscillator is selected as default CPU clock on reset. An external 4-32 MHz clock can be selected, in which case it is monitored for failure. If failure is detected, the system automatically switches back to the internal RC oscillator. A software interrupt is generated if enabled. Similarly, full interrupt management of the PLL clock entry is available when necessary (for example on failure of an indirectly used external crystal, resonator or oscillator).

Several prescalers allow the application to configure the frequency of the AHB and the APB domains. The maximum frequency of the AHB and the APB domains is 48 MHz.

Functional overview

STM32F030x4/6/8/C

Figure 2. Clock tree



1. LSI/LSE is not available in STM32F030x8 devices.

3.7 General-purpose inputs/outputs (GPIOs)

Each of the GPIO pins can be configured by software as output (push-pull or open-drain), as input (with or without pull-up or pull-down) or as peripheral alternate function. Most of the GPIO pins are shared with digital or analog alternate functions.

The I/O configuration can be locked if needed following a specific sequence in order to avoid spurious writing to the I/Os registers.

3.8 Direct memory access controller (DMA)

The 5-channel general-purpose DMA manages memory-to-memory, peripheral-to-memory and memory-to-peripheral transfers.

The DMA supports circular buffer management, removing the need for user code intervention when the controller reaches the end of the buffer.

Each channel is connected to dedicated hardware DMA requests, with support for software trigger on each channel. Configuration is made by software and transfer sizes between source and destination are independent.

The DMA can be used with the main peripherals: SPI, I2C, USART, all TIMx timers (except TIM14) and ADC.

3.9 Interrupts and events

3.9.1 Nested vectored interrupt controller (NVIC)

The STM32F0xx family embeds a nested vectored interrupt controller able to handle up to 32 maskable interrupt channels (not including the 16 interrupt lines of Cortex[®]-M0) and 4 priority levels.

- Closely coupled NVIC gives low latency interrupt processing
- Interrupt entry vector table address passed directly to the core
- Closely coupled NVIC core interface
- Allows early processing of interrupts
- Processing of late arriving higher priority interrupts
- Support for tail-chaining
- Processor state automatically saved
- Interrupt entry restored on interrupt exit with no instruction overhead

This hardware block provides flexible interrupt management features with minimal interrupt latency.

3.9.2 Extended interrupt/event controller (EXTI)

The extended interrupt/event controller consists of 32 edge detector lines used to generate interrupt/event requests and wake-up the system. Each line can be independently configured to select the trigger event (rising edge, falling edge, both) and can be masked independently. A pending register maintains the status of the interrupt requests. The EXTI can detect an external line with a pulse width shorter than the internal clock period. Up to 55 GPIOs can be connected to the 16 external interrupt lines.

3.10 Analog to digital converter (ADC)

The 12-bit analog to digital converter has up to 16 external and two internal (temperature sensor, voltage reference measurement) channels and performs conversions in single-shot or scan modes. In scan mode, automatic conversion is performed on a selected group of analog inputs.

The ADC can be served by the DMA controller.

An analog watchdog feature allows very precise monitoring of the converted voltage of one, some or all selected channels. An interrupt is generated when the converted voltage is outside the programmed thresholds.

3.10.1 Temperature sensor

The temperature sensor (TS) generates a voltage V_{SENSE} that varies linearly with temperature.

The temperature sensor is internally connected to the ADC_IN16 input channel which is used to convert the sensor output voltage into a digital value.

The sensor provides good linearity but it has to be calibrated to obtain good overall accuracy of the temperature measurement. As the offset of the temperature sensor varies from chip to chip due to process variation, the uncalibrated internal temperature sensor is suitable for applications that detect temperature changes only.

To improve the accuracy of the temperature sensor measurement, each device is individually factory-calibrated by ST. The temperature sensor factory calibration data are stored by ST in the system memory area, accessible in read-only mode.

Table 3. Temperature sensor calibration values

Calibration value name	Description	Memory address
TS_CAL1	TS ADC raw data acquired at a temperature of 30 °C (± 5 °C), $V_{DDA} = 3.3$ V (± 10 mV)	0x1FFF F7B8 - 0x1FFF F7B9

3.10.2 Internal voltage reference (V_{REFINT})

The internal voltage reference (V_{REFINT}) provides a stable (bandgap) voltage output for the ADC. V_{REFINT} is internally connected to the ADC_IN17 input channel. The precise voltage of V_{REFINT} is individually measured for each part by ST during production test and stored in the system memory area. It is accessible in read-only mode.

Table 4. Internal voltage reference calibration values

Calibration value name	Description	Memory address
VREFINT_CAL	Raw data acquired at a temperature of 30 °C (± 5 °C), $V_{DDA} = 3.3$ V (± 10 mV)	0x1FFF F7BA - 0x1FFF F7BB

3.11 Timers and watchdogs

The STM32F030x4/6/8/C devices include up to six general-purpose timers, two basic timers and one advanced control timer.

Table 5 compares the features of the different timers.

Table 5. Timer feature comparison

Timer type	Timer	Counter resolution	Counter type	Prescaler factor	DMA request generation	Capture/compare channels	Complementary outputs
Advanced control	TIM1	16-bit	Up, down, up/down	Any integer between 1 and 65536	Yes	4	Yes
General purpose	TIM3	16-bit	Up, down, up/down	Any integer between 1 and 65536	Yes	4	No
	TIM14	16-bit	Up	Any integer between 1 and 65536	No	1	No
	TIM15 ⁽¹⁾	16-bit	Up	Any integer between 1 and 65536	Yes	2	No
	TIM16, TIM17	16-bit	Up	Any integer between 1 and 65536	Yes	1	Yes
Basic	TIM6, ⁽¹⁾ TIM7 ⁽²⁾	16-bit	Up	Any integer between 1 and 65536	Yes	0	No

1. Available on STM32F030x8 and STM32F030xB devices only.
2. Available on STM32F030xB devices only

3.11.1 Advanced-control timer (TIM1)

The advanced-control timer (TIM1) can be seen as a three-phase PWM multiplexed on six channels. It has complementary PWM outputs with programmable inserted dead times. It can also be seen as a complete general-purpose timer. The four independent channels can be used for:

- Input capture
- Output compare
- PWM generation (edge or center-aligned modes)
- One-pulse mode output

If configured as a standard 16-bit timer, it has the same features as the TIMx timer. If configured as the 16-bit PWM generator, it has full modulation capability (0-100%).

The counter can be frozen in debug mode.

Many features are shared with those of the standard timers which have the same architecture. The advanced control timer can therefore work together with the other timers via the Timer Link feature for synchronization or event chaining.

3.11.2 General-purpose timers (TIM3, TIM14..17)

There are five synchronizable general-purpose timers embedded in the STM32F030x4/6/8/C devices (see [Table 5](#) for differences). Each general-purpose timer can be used to generate PWM outputs, or as simple time base.

TIM3

STM32F030x4/6/8/C devices feature one synchronizable 4-channel general-purpose timer. TIM3 is based on a 16-bit auto-reload up/downcounter and a 16-bit prescaler. It features four independent channels each for input capture/output compare, PWM or one-pulse mode output. This gives up to 12 input captures/output compares/PWMs on the largest packages.

The TIM3 general-purpose timer can work with the TIM1 advanced-control timer via the Timer Link feature for synchronization or event chaining.

TIM3 has an independent DMA request generation.

This timer is capable of handling quadrature (incremental) encoder signals and the digital outputs from 1 to 3 hall-effect sensors.

The counter can be frozen in debug mode.

TIM14

This timer is based on a 16-bit auto-reload upcounter and a 16-bit prescaler.

TIM14 features one single channel for input capture/output compare, PWM or one-pulse mode output.

Its counter can be frozen in debug mode.

TIM15, TIM16 and TIM17

These timers are based on a 16-bit auto-reload upcounter and a 16-bit prescaler.

TIM15 has two independent channels, whereas TIM16 and TIM17 feature one single channel for input capture/output compare, PWM or one-pulse mode output.

The TIM15, TIM16 and TIM17 timers can work together, and TIM15 can also operate with TIM1 via the Timer Link feature for synchronization or event chaining.

TIM15 can be synchronized with TIM16 and TIM17.

TIM15, TIM16 and TIM17 have a complementary output with dead-time generation and independent DMA request generation.

Their counters can be frozen in debug mode.

3.11.3 Basic timers TIM6 and TIM7

These timers can be used as a generic 16-bit time base.

3.11.4 Independent watchdog (IWDG)

The independent watchdog is based on an 8-bit prescaler and 12-bit downcounter with user-defined refresh window. It is clocked from an independent 40 kHz internal RC and as it operates independently from the main clock, it can operate in Stop and Standby modes. It can be used either as a watchdog to reset the device when a problem occurs, or as a free running timer for application timeout management. It is hardware or software configurable through the option bytes. The counter can be frozen in debug mode.

3.11.5 System window watchdog (WWDG)

The system window watchdog is based on a 7-bit downcounter that can be set as free running. It can be used as a watchdog to reset the device when a problem occurs. It is clocked from the APB clock (PCLK). It has an early warning interrupt capability and the counter can be frozen in debug mode.

3.11.6 SysTick timer

This timer is dedicated to real-time operating systems, but could also be used as a standard down counter. It features:

- A 24-bit down counter
- Autoreload capability
- Maskable system interrupt generation when the counter reaches 0
- Programmable clock source (HCLK or HCLK/8)

3.12 Real-time clock (RTC)

The RTC is an independent BCD timer/counter. Its main features are the following:

- Calendar with subseconds, seconds, minutes, hours (12 or 24 format), week day, date, month, year, in BCD (binary-coded decimal) format.
- Automatic correction for 28, 29 (leap year), 30, and 31 day of the month.
- Programmable alarm with wake up from Stop and Standby mode capability.
- Periodic wakeup unit with programmable resolution and period.
- On-the-fly correction from 1 to 32767 RTC clock pulses. This can be used to synchronize the RTC with a master clock.
- Digital calibration circuit with 1 ppm resolution, to compensate for quartz crystal inaccuracy.
- Two anti-tamper detection pins with programmable filter. The MCU can be woken up from Stop and Standby modes on tamper event detection.
- Timestamp feature which can be used to save the calendar content. This function can be triggered by an event on the timestamp pin, or by a tamper event. The MCU can be woken up from Stop and Standby modes on timestamp event detection.
- Reference clock detection: a more precise second source clock (50 or 60 Hz) can be used to enhance the calendar precision.

The RTC clock sources can be:

- A 32.768 kHz external crystal
- A resonator or oscillator
- The internal low-power RC oscillator (typical frequency of 40 kHz)
- The high-speed external clock divided by 32

3.13 Inter-integrated circuit interfaces (I²C)

Up to two I2C interfaces (I2C1 and I2C2) can operate in multimaster or slave modes. Both can support Standard mode (up to 100 kbit/s) or Fast mode (up to 400 kbit/s). I2C1 also supports Fast Mode Plus (up to 1 Mbit/s) with 20 mA output drive.

Both support 7-bit and 10-bit addressing modes, multiple 7-bit slave addresses (two addresses, one with configurable mask). They also include programmable analog and digital noise filters.

Table 6. Comparison of I2C analog and digital filters

	Analog filter	Digital filter
Pulse width of suppressed spikes	≥ 50 ns	Programmable length from 1 to 15 I2C peripheral clocks
Benefits	Available in Stop mode	1. Extra filtering capability vs. standard requirements. 2. Stable length
Drawbacks	Variations depending on temperature, voltage, process	-

STM32F030x4/6/8/C

Functional overview

In addition, I2C1 provides hardware support for SMBUS 2.0 and PMBUS 1.1: ARP capability, Host notify protocol, hardware CRC (PEC) generation/verification, timeouts verifications and ALERT protocol management

The I2C interfaces can be served by the DMA controller.

Refer to [Table 7](#) for the differences between I2C1 and I2C2.

Table 7. STM32F030x4/6/8/C I²C implementation

I2C features ⁽¹⁾	I2C1	I2C2 ⁽²⁾
7-bit addressing mode	X	X
10-bit addressing mode	X	X
Standard mode (up to 100 kbit/s)	X	X
Fast mode (up to 400 kbit/s)	X	X
Fast Mode Plus (up to 1 Mbit/s) with 20mA output drive I/Os	X	-
Independent clock	X	-
SMBus	X	-
Wakeup from STOP	-	-

1. X = supported.
2. Only available on STM32F030x8/C devices.

3.14 Universal synchronous/asynchronous receiver transmitters (USART)

The device embeds up to six universal synchronous/asynchronous receiver transmitters (USART1, USART2 and USART3, USART4, USART5, USART6 on STM32F030xC devices only), which communicate at speeds of up to 6 Mbit/s.

They provide hardware management of the CTS and RTS signals, multiprocessor communication mode, master synchronous communication and single-wire half-duplex communication mode. USART1 supports also the auto baud rate feature.

The USART interfaces can be served by the DMA controller.

Table 8. STM32F030x4/6/8/C USART implementation⁽¹⁾

USART modes/features	USART1	USART2 ⁽²⁾	USART2 ⁽³⁾ , USART3 ⁽³⁾	USART4 ⁽³⁾	USART5 ⁽³⁾	USART6 ⁽³⁾
Hardware flow control for modem	X	X	X	X	-	-
Continuous communication using DMA	X	X	X	X	X	X
Multiprocessor communication	X	X	X	X	X	X
Synchronous mode	X	X	X	X	X	-
Single-wire half-duplex communication	X	X	X	X	X	X
Receiver timeout interrupt	X	-	X	-	-	-
Auto baud rate detection	X	-	X	-	-	-

Functional overview

STM32F030x4/6/8/C

1. Where X means supported.
2. Not available on STM32F030x4/6 devices.
3. Available only on STM32F030xC devices.

3.15 Serial peripheral interface (SPI)

Up to two SPIs are able to communicate up to 18 Mbit/s in slave and master modes in full-duplex and half-duplex communication modes. The 3-bit prescaler gives 8 master mode frequencies and the frame size is configurable from 4 bits to 16 bits.

SPI1 and SPI2 are identical and implement the set of features shown in the following table.

Table 9. STM32F030x4/6/8/C SPI implementation

SPI features ⁽¹⁾	SPI1	SPI2 ⁽²⁾
Hardware CRC calculation	X	X
Rx/Tx FIFO	X	X
NSS pulse mode	X	X
TI mode	X	X

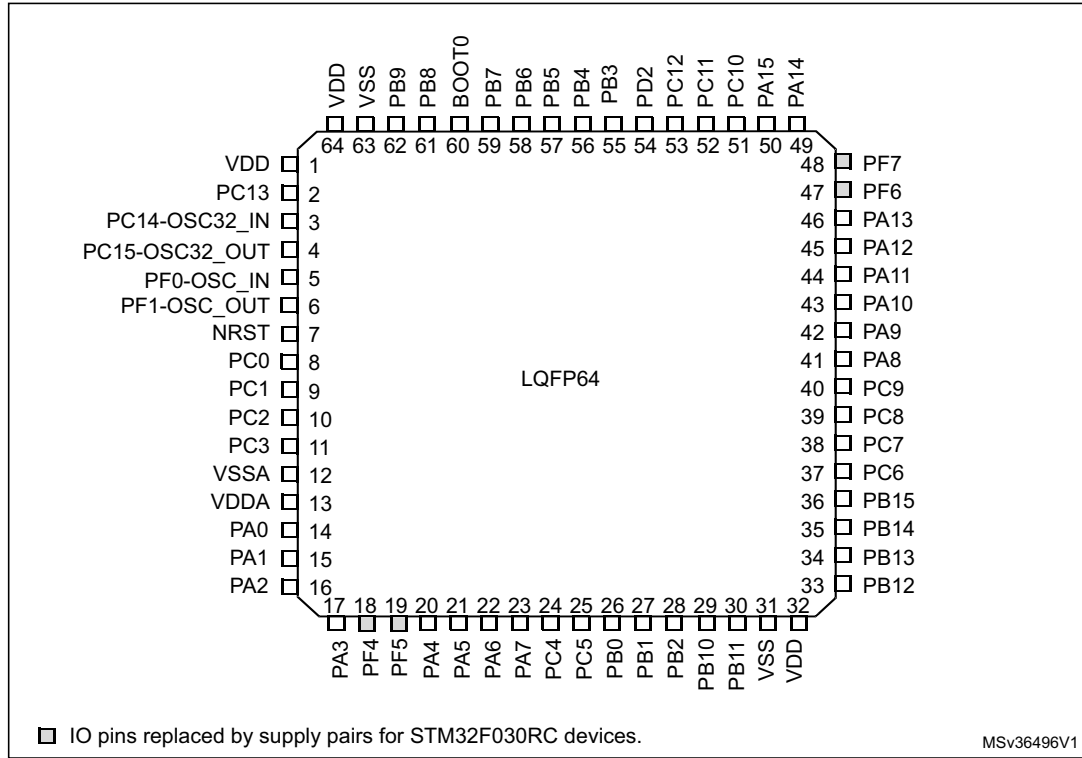
1. X = supported.
2. Not available on STM32F030x4/6.

3.16 Serial wire debug port (SW-DP)

An ARM SW-DP interface is provided to allow a serial wire debugging tool to be connected to the MCU.

4 Pinouts and pin descriptions

Figure 3. LQFP64 64-pin package pinout (top view), for STM32F030x4/6/8 devices



Pinouts and pin descriptions

STM32F030x4/6/8/C

Figure 4. LQFP64 64-pin package pinout (top view), for STM32F030RC devices

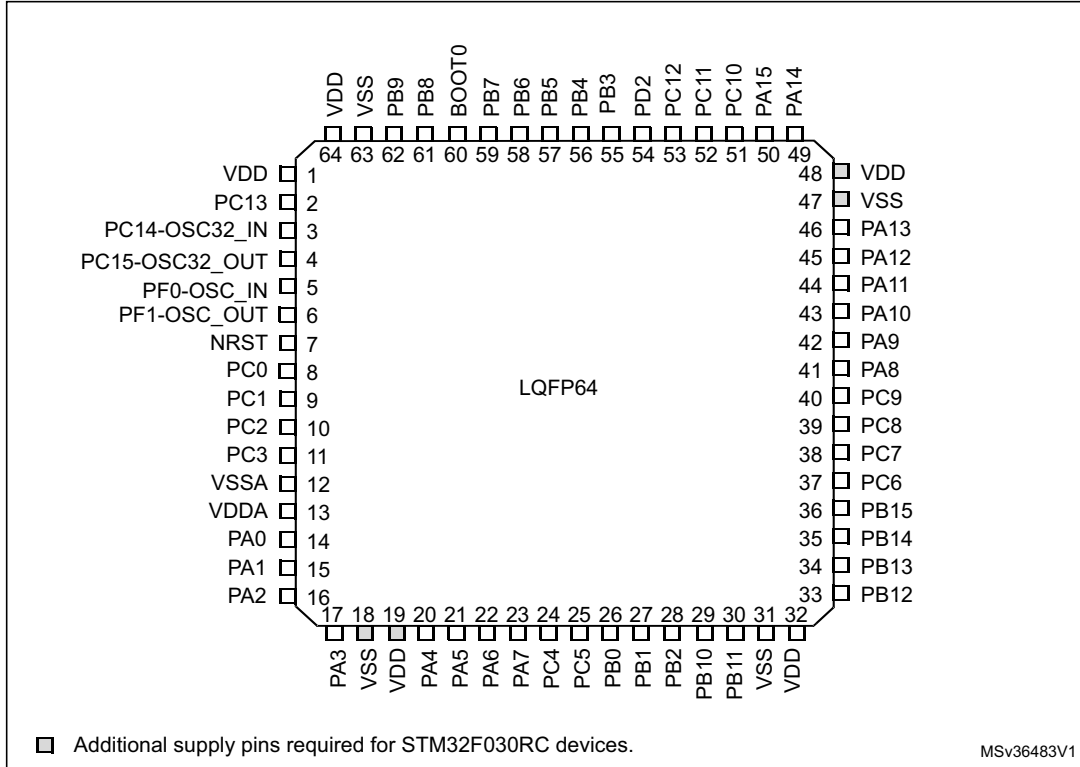
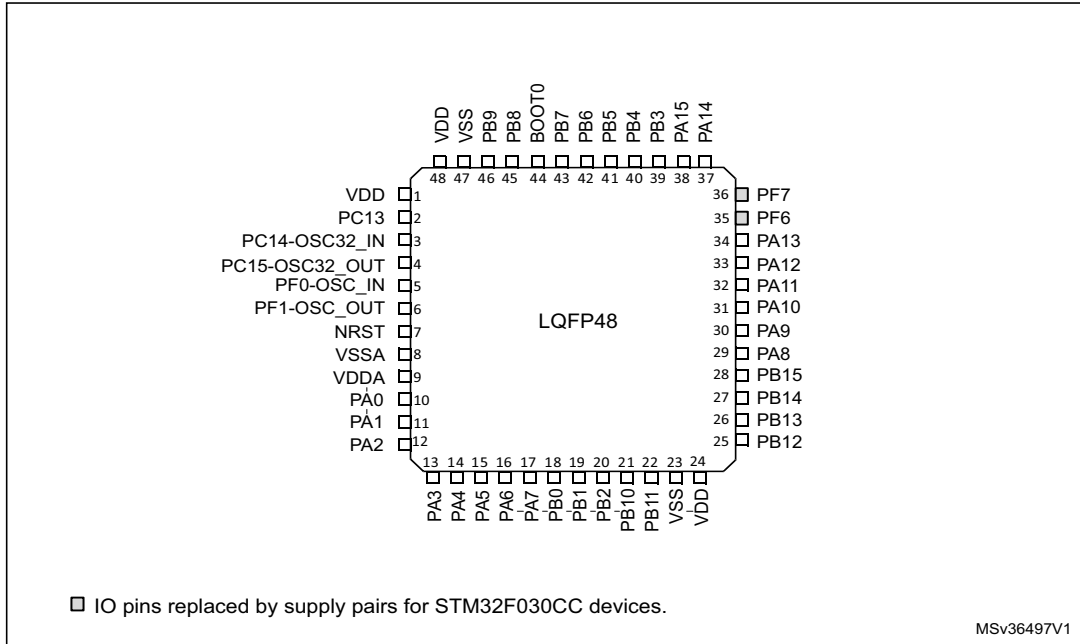


Figure 5. LQFP48 48-pin package pinout (top view), for STM32F030x4/6/8 devices



STM32F030x4/6/8/C

Pinouts and pin descriptions

Figure 6. LQFP48 48-pin package pinout (top view), for STM32F030CC devices

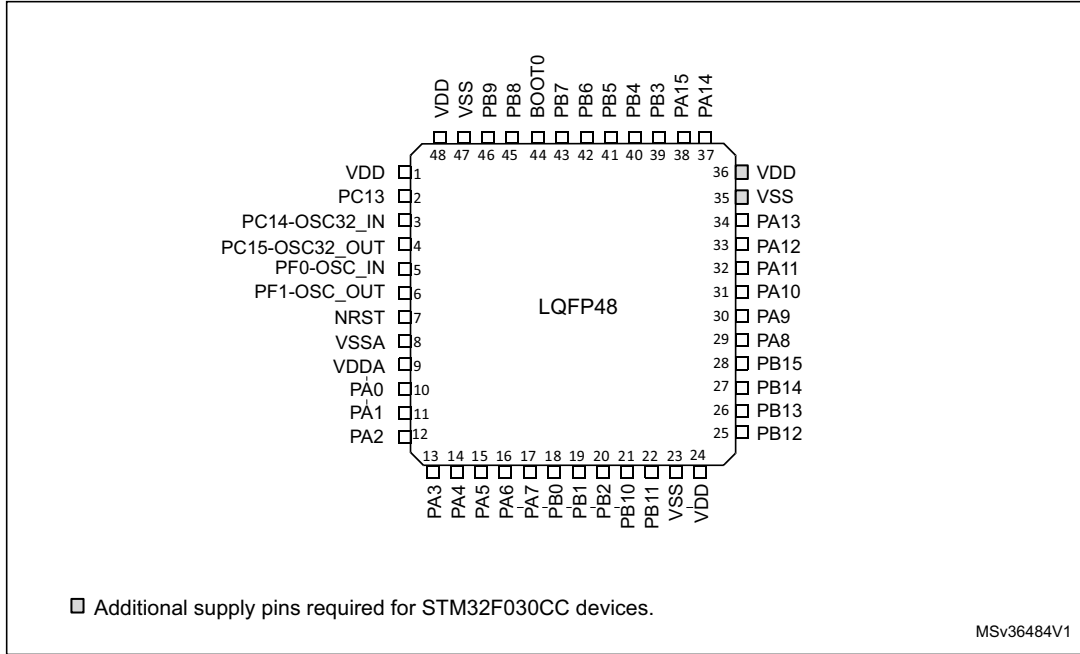
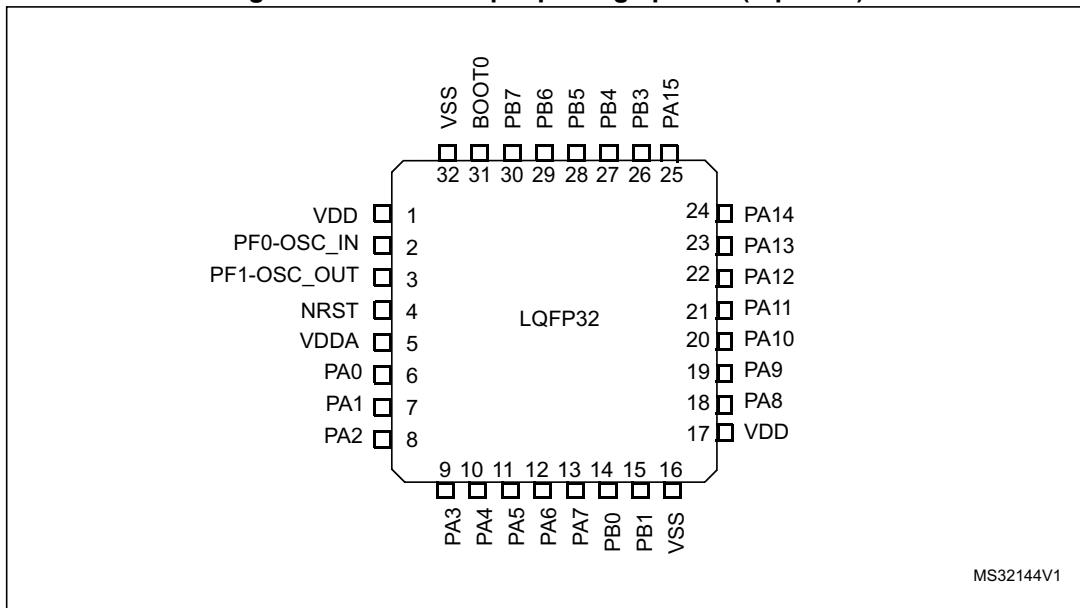


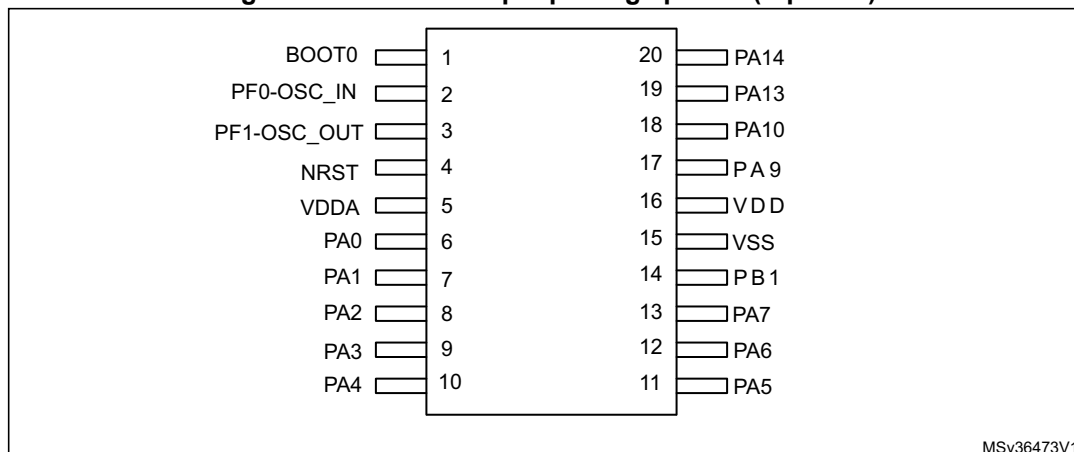
Figure 7. LQFP32 32-pin package pinout (top view)



Pinouts and pin descriptions

STM32F030x4/6/8/C

Figure 8. TSSOP20 20-pin package pinout (top view)



MSv36473V1

Table 10. Legend/abbreviations used in the pinout table

Name	Abbreviation	Definition
Pin name	Unless otherwise specified in brackets below the pin name, the pin function during and after reset is the same as the actual pin name	
Pin type	S	Supply pin
	I	Input only pin
	I/O	Input / output pin
I/O structure	FT	5 V tolerant I/O
	FTf	5 V tolerant I/O, FM+ capable
	TTa	3.3 V tolerant I/O directly connected to ADC
	TC	Standard 3.3 V I/O
	B	Dedicated BOOT0 pin
	RST	Bidirectional reset pin with embedded weak pull-up resistor
Notes	Unless otherwise specified by a note, all I/Os are set as floating inputs during and after reset.	
Pin functions	Alternate functions	Functions selected through GPIOx_AFR registers
	Additional functions	Functions directly selected/enabled through peripheral registers

STM32F030x4/6/8/C

Pinouts and pin descriptions

Table 11. STM32F030x4/6/8/C pin definitions

Pin number				Pin name (function after reset)	Pin type	I/O structure	Notes	Pin functions	
LQFP64	LQFP48	LQFP32	TSSOP20					Alternate functions	Additional functions
1	1	-	-	VDD	S			Complementary power supply	
2	2	-	-	PC13	I/O	TC	(1)	-	RTC_TAMP1, RTC_TS, RTC_OUT, WKUP2
3	3	-	-	PC14-OSC32_IN (PC14)	I/O	TC	(1)	-	OSC32_IN
4	4	-	-	PC15-OSC32_OUT (PC15)	I/O	TC	(1)	-	OSC32_OUT
5	5	2	2	PF0-OSC_IN (PF0)	I/O	FT		I2C1_SDA ⁽⁵⁾	OSC_IN
6	6	3	3	PF1-OSC_OUT (PF1)	I/O	FT		I2C1_SCL ⁽⁵⁾	OSC_OUT
7	7	4	4	NRST	I/O	RST		Device reset input / internal reset output (active low)	
8	-	-	-	PC0	I/O	TTa		EVENTOUT, USART6_TX ⁽⁵⁾ , USART7_TX ⁽⁵⁾	ADC_IN10
9	-	-	-	PC1	I/O	TTa		EVENTOUT, USART6_RX ⁽⁵⁾ , USART7_RX ⁽⁵⁾	ADC_IN11
10	-	-	-	PC2	I/O	TTa		SPI2_MISO ⁽⁵⁾ , EVENTOUT	ADC_IN12
11	-	-	-	PC3	I/O	TTa		SPI2_MOSI ⁽⁵⁾ , EVENTOUT	ADC_IN13
12	8	-	-	VSSA	S			Analog ground	
13	9	5	5	VDDA	S			Analog power supply	
14	10	6	6	PA0	I/O	TTa		USART1_CTS ⁽²⁾ , USART2_CTS ⁽³⁾⁽⁵⁾ , USART4_TX ⁽⁵⁾	ADC_IN0, RTC_TAMP2, WKUP1
15	11	7	7	PA1	I/O	TTa		USART1_RTS ⁽²⁾ , USART2_RTS ⁽³⁾⁽⁵⁾ , EVENTOUT, USART4_RX ⁽⁵⁾	ADC_IN1

Pinouts and pin descriptions

STM32F030x4/6/8/C

Table 11. STM32F030x4/6/8/C pin definitions (continued)

Pin number				Pin name (function after reset)	Pin type	I/O structure	Notes	Pin functions	
LQFP64	LQFP48	LQFP32	TSSOP20					Alternate functions	Additional functions
16	12	8	8	PA2	I/O	TTa		USART1_TX ⁽²⁾ , USART2_TX ⁽³⁾⁽⁵⁾ , TIM15_CH1 ⁽³⁾⁽⁵⁾	ADC_IN2
17	13	9	9	PA3	I/O	TTa		USART1_RX ⁽²⁾ , USART2_RX ⁽³⁾⁽⁵⁾ , TIM15_CH2 ⁽³⁾⁽⁵⁾	ADC_IN3
18 ⁽⁴⁾	-	-	-	PF4	I/O	FT	(4)	EVENTOUT	-
18 ⁽⁵⁾	-	-	-	VSS	S		(5)	Ground	
19 ⁽⁴⁾	-	-	-	PF5	I/O	FT	(4)	EVENTOUT	-
19 ⁽⁵⁾	-	-	-	VDD			(5)	Complementary power supply	
20	14	10	10	PA4	I/O	TTa		SPI1_NSS, USART1_CK ⁽²⁾ , USART2_CK ⁽³⁾⁽⁵⁾ , TIM14_CH1, USART6_TX ⁽⁵⁾	ADC_IN4
21	15	11	11	PA5	I/O	TTa		SPI1_SCK, USART6_RX ⁽⁵⁾	ADC_IN5
22	16	12	12	PA6	I/O	TTa		SPI1_MISO, TIM3_CH1, TIM1_BKIN, TIM16_CH1, EVENTOUT USART3_CTS ⁽⁵⁾	ADC_IN6
23	17	13	13	PA7	I/O	TTa		SPI1_MOSI, TIM3_CH2, TIM14_CH1, TIM1_CH1N, TIM17_CH1, EVENTOUT	ADC_IN7
24	-	-	-	PC4	I/O	TTa		EVENTOUT, USART3_TX ⁽⁵⁾	ADC_IN14
25	-	-	-	PC5	I/O	TTa		USART3_RX ⁽⁵⁾	ADC_IN15
26	18	14	-	PB0	I/O	TTa		TIM3_CH3, TIM1_CH2N, EVENTOUT, USART3_CK ⁽⁵⁾	ADC_IN8

STM32F030x4/6/8/C

Pinouts and pin descriptions

Table 11. STM32F030x4/6/8/C pin definitions (continued)

Pin number				Pin name (function after reset)	Pin type	I/O structure	Notes	Pin functions	
LQFP64	LQFP48	LQFP32	TSSOP20					Alternate functions	Additional functions
27	19	15	14	PB1	I/O	TTa		TIM3_CH4, TIM14_CH1, TIM1_CH3N, USART3_RTS ⁽⁵⁾	ADC_IN9
28	20	-	-	PB2	I/O	FT	⁽⁶⁾	-	-
29	21	-	-	PB10	I/O	FT		SPI2_SCK ⁽⁵⁾ , I2C1_SCL ⁽²⁾ , I2C2_SCL ⁽³⁾⁽⁵⁾ , USART3_TX ⁽⁵⁾	-
30	22	-	-	PB11	I/O	FT		I2C1_SDA ⁽²⁾ , I2C2_SDA ⁽³⁾⁽⁵⁾ , EVENTOUT, USART3_RX ⁽⁵⁾	-
31	23	16	-	VSS	S			Ground	
32	24	17	16	VDD	S			Digital power supply	
33	25	-	-	PB12	I/O	FT		SPI1_NSS ⁽²⁾ , SPI2_NSS ⁽³⁾⁽⁵⁾ , TIM1_BKIN, EVENTOUT, USART3_CK ⁽⁵⁾	-
34	26	-	-	PB13	I/O	FT		SPI1_SCK ⁽²⁾ , SPI2_SCK ⁽³⁾⁽⁵⁾ , I2C2_SDA, TIM1_CH1N, USART3_CTS ⁽⁵⁾	-
35	27	-	-	PB14	I/O	FT		SPI1_MISO ⁽²⁾ , SPI2_MISO ⁽³⁾⁽⁵⁾ , I2C2_SDA ⁽⁵⁾ , TIM1_CH2N, TIM15_CH1 ⁽³⁾⁽⁵⁾ , USART3_RTS ⁽⁵⁾	-
36	28	-	-	PB15	I/O	FT		SPI1_MOSI ⁽²⁾ , SPI2_MOSI ⁽³⁾⁽⁵⁾ , TIM1_CH3N, TIM15_CH1N ⁽³⁾⁽⁵⁾ , TIM15_CH2 ⁽³⁾⁽⁵⁾	RTC_REFIN
37	-	-	-	PC6	I/O	FT		TIM3_CH1	-
38	-	-	-	PC7	I/O	FT		TIM3_CH2	-

Pinouts and pin descriptions

STM32F030x4/6/8/C

Table 11. STM32F030x4/6/8/C pin definitions (continued)

Pin number				Pin name (function after reset)	Pin type	I/O structure	Notes	Pin functions	
LQFP64	LQFP48	LQFP32	TSSOP20					Alternate functions	Additional functions
39	-	-	-	PC8	I/O	FT		TIM3_CH3	-
40	-	-	-	PC9	I/O	FT		TIM3_CH4	-
41	29	18	-	PA8	I/O	FT		USART1_CK, TIM1_CH1, EVENTOUT, MCO	-
42	30	19	17	PA9	I/O	FT		USART1_TX, TIM1_CH2, TIM15_BKIN ⁽³⁾⁽⁵⁾ I2C1_SCL ⁽²⁾⁽⁵⁾	-
43	31	20	18	PA10	I/O	FT		USART1_RX, TIM1_CH3, TIM17_BKIN I2C1_SDA ⁽²⁾⁽⁵⁾	-
44	32	21	-	PA11	I/O	FT		USART1_CTS, TIM1_CH4, EVENTOUT, I2C2_SCL ⁽⁵⁾	-
45	33	22	-	PA12	I/O	FT		USART1_RTS, TIM1_ETR, EVENTOUT, I2C2_SDA ⁽⁵⁾	-
46	34	23	19	PA13 (SWDIO)	I/O	FT	(7)	IR_OUT, SWDIO	-
47 ⁽⁴⁾	35 ⁽⁴⁾	-	-	PF6	I/O	FT	(4)	I2C1_SCL ⁽²⁾ , I2C2_SCL ⁽³⁾	-
47 ⁽⁵⁾	35 ⁽⁵⁾	-	-	VSS	S		(5)	Ground	
48 ⁽⁴⁾	36 ⁽⁴⁾	-	-	PF7	I/O	FT	(4)	I2C1_SDA ⁽²⁾ , I2C2_SDA ⁽³⁾	-
48 ⁽⁵⁾	36 ⁽⁵⁾	-	-	VDD	S		(5)	Complementary power supply	
49	37	24	20	PA14 (SWCLK)	I/O	FT	(7)	USART1_TX ⁽²⁾ , USART2_TX ⁽³⁾⁽⁵⁾ , SWCLK	-
50	38	25	-	PA15	I/O	FT		SPI1_NSS, USART1_RX ⁽²⁾ , USART2_RX ⁽³⁾⁽⁵⁾ , USART4_RTS ⁽⁵⁾ , EVENTOUT	-

STM32F030x4/6/8/C

Pinouts and pin descriptions

Table 11. STM32F030x4/6/8/C pin definitions (continued)

Pin number				Pin name (function after reset)	Pin type	I/O structure	Notes	Pin functions	
LQFP64	LQFP48	LQFP32	TSSOP20					Alternate functions	Additional functions
51	-	-	-	PC10	I/O	FT		USART3_TX ⁽⁵⁾ , USART4_TX ⁽⁵⁾	-
52	-	-	-	PC11	I/O	FT		USART3_RX ⁽⁵⁾ , USART4_RX ⁽⁵⁾	-
53	-	-	-	PC12	I/O	FT		USART3_CK ⁽⁵⁾ , USART4_CK ⁽⁵⁾ , USART5_TX ⁽⁵⁾	-
54	-	-	-	PD2	I/O	FT		TIM3_ETR, USART3_RTS ⁽⁵⁾ , USART5_RX ⁽⁵⁾	-
55	39	26	-	PB3	I/O	FT		SPI1_SCK, EVENTOUT, USART5_TX ⁽⁵⁾	-
56	40	27	-	PB4	I/O	FT		SPI1_MISO, TIM3_CH1, EVENTOUT, TIM17_BKIN ⁽⁵⁾ , USART5_RX ⁽⁵⁾	-
57	41	28	-	PB5	I/O	FT		SPI1_MOSI, I2C1_SMBA, TIM16_BKIN, TIM3_CH2, USART5_CK_RTS ⁽⁵⁾	-
58	42	29	-	PB6	I/O	FTf		I2C1_SCL, USART1_TX, TIM16_CH1N	-
59	43	30	-	PB7	I/O	FTf		I2C1_SDA, USART1_RX, TIM17_CH1N, USART4_CTS ⁽⁵⁾	-
60	44	31	1	BOOT0	I	B		Boot memory selection	
61	45	-	-	PB8	I/O	FTf	(7)	I2C1_SCL, TIM16_CH1	-
62	46	-	-	PB9	I/O	FTf		I2C1_SDA, IR_OUT, SPI2_NSS ⁽⁵⁾ , TIM17_CH1, EVENTOUT	-

Pinouts and pin descriptions

STM32F030x4/6/8/C

Table 11. STM32F030x4/6/8/C pin definitions (continued)

Pin number				Pin name (function after reset)	Pin type	I/O structure	Notes	Pin functions	
LQFP64	LQFP48	LQFP32	TSSOP20					Alternate functions	Additional functions
63	47	32	15	VSS	S			Ground	
64	48	1	16	VDD	S			Digital power supply	

1. PC13, PC14 and PC15 are supplied through the power switch. Since the switch only sinks a limited amount of current (3 mA), the use of GPIOs PC13 to PC15 in output mode is limited:
 - The speed should not exceed 2 MHz with a maximum load of 30 pF.
 - These GPIOs must not be used as current sources (e.g. to drive an LED).
2. This feature is available on STM32F030x6 and STM32F030x4 devices only.
3. This feature is available on STM32F030x8 devices only.
4. For STM32F030x4/6/8 devices only.
5. For STM32F030xC devices only.
6. On LQFP32 package, PB2 and PB8 should be treated as unconnected pins (even when they are not available on the package, they are not forced to a defined level by hardware).
7. After reset, these pins are configured as SWDIO and SWCLK alternate functions, and the internal pull-up on SWDIO pin and internal pull-down on SWCLK pin are activated.


Table 12. Alternate functions selected through GPIOA_AFR registers for port A

Pin name	AF0	AF1	AF2	AF3	AF4	AF5	AF6
PA0	-	USART1_CTS ⁽¹⁾	-	-	USART4_TX ⁽²⁾	-	-
		USART2_CTS ⁽²⁾⁽³⁾					
PA1	EVENTOUT	USART1_RTS ⁽¹⁾	-	-	USART4_RX ⁽²⁾	TIM15_CH1N ⁽²⁾	-
		USART2_RTS ⁽²⁾⁽³⁾					
PA2	TIM15_CH1 ⁽²⁾⁽³⁾	USART1_TX ⁽¹⁾	-	-	-	-	-
		USART2_TX ⁽²⁾⁽³⁾					
PA3	TIM15_CH2 ⁽²⁾⁽³⁾	USART1_RX ⁽¹⁾	-	-	-	-	-
		USART2_RX ⁽²⁾⁽³⁾					
PA4	SPI1_NSS	USART1_CK ⁽¹⁾	-	-	TIM14_CH1	USART6_TX ⁽²⁾	-
		USART2_CK ⁽²⁾⁽³⁾					
PA5	SPI1_SCK	-	-	-	-	USART6_RX ⁽²⁾	-
PA6	SPI1_MISO	TIM3_CH1	TIM1_BKIN	-	USART3_CTS ⁽²⁾	TIM16_CH1	EVENTOUT
PA7	SPI1_MOSI	TIM3_CH2	TIM1_CH1N	-	TIM14_CH1	TIM17_CH1	EVENTOUT
PA8	MCO	USART1_CK	TIM1_CH1	EVENTOUT	-	-	-
PA9	TIM15_BKIN ⁽²⁾⁽³⁾	USART1_TX	TIM1_CH2	-	I2C1_SCL ⁽¹⁾⁽²⁾	MCO ⁽²⁾	-
PA10	TIM17_BKIN	USART1_RX	TIM1_CH3	-	I2C1_SDA ⁽¹⁾⁽²⁾	-	-
PA11	EVENTOUT	USART1_CTS	TIM1_CH4	-	-	I2C_SCL	-
PA12	EVENTOUT	USART1_RTS	TIM1_ETR	-	-	I2C_SDA	-
PA13	SWDIO	IR_OUT	-	-	-	-	-
PA14	SWCLK	USART1_TX ⁽¹⁾	-	-	-	-	-
		USART2_TX ⁽²⁾⁽³⁾					
PA15	SPI1_NSS	USART1_RX ⁽¹⁾	-	EVENTOUT	USART4_RTS ⁽²⁾	-	-
		USART2_RX ⁽²⁾⁽³⁾					

1. This feature is available on STM32F030x4 and STM32F030x6 devices only.

2. This feature is available on STM32F030xC devices only.



3. This feature is available on STM32F030x8 devices only.

Table 13. Alternate functions selected through GPIOB_AFR registers for port B

Pin name	AF0	AF1	AF2	AF3	AF4	AF5
PB0	EVENTOUT	TIM3_CH3	TIM1_CH2N	-	USART3_CK ⁽¹⁾	-
PB1	TIM14_CH1	TIM3_CH4	TIM1_CH3N	-	USART3_RTS ⁽¹⁾	-
PB2	-	-	-	-	-	-
PB3	SPI1_SCK	EVENTOUT	-	-	USART5_TX ⁽¹⁾	-
PB4	SPI1_MISO	TIM3_CH1	EVENTOUT	-	USART5_RX ⁽¹⁾	TIM17_BKIN ⁽¹⁾
PB5	SPI1_MOSI	TIM3_CH2	TIM16_BKIN	I2C1_SMBA	USART5_CK_RTS ⁽¹⁾	-
PB6	USART1_TX	I2C1_SCL	TIM16_CH1N	-	-	-
PB7	USART1_RX	I2C1_SDA	TIM17_CH1N	-	USART4_CTS ⁽¹⁾	-
PB8	-	I2C1_SCL	TIM16_CH1	-	-	-
PB9	IR_OUT	I2C1_SDA	TIM17_CH1	EVENTOUT	-	SPI2_NSS ⁽¹⁾
PB10	-	I2C1_SCL ⁽²⁾	-	-	USART3_TX ⁽¹⁾	SPI2_SCK ⁽¹⁾
		I2C2_SCL ⁽¹⁾⁽³⁾			USART3_RX ⁽¹⁾	-
PB11	EVENTOUT	I2C1_SDA ⁽²⁾	-	-	USART3_RX ⁽¹⁾	-
		I2C2_SDA ⁽¹⁾⁽³⁾				
PB12	SPI1_NSS ⁽²⁾	EVENTOUT	TIM1_BKIN	-	USART3_RTS ⁽¹⁾	TIM15 ⁽¹⁾
	SPI2_NSS ⁽¹⁾⁽³⁾					
PB13	SPI1_SCK ⁽²⁾	-	TIM1_CH1N	-	USART3_CTS ⁽¹⁾	I2C2_SCL ⁽¹⁾
	SPI2_SCK ⁽¹⁾⁽³⁾					
PB14	SPI1_MISO ⁽²⁾	TIM15_CH1 ⁽¹⁾⁽³⁾	TIM1_CH2N	-	USART3_RTS ⁽¹⁾	I2C2_SDA ⁽¹⁾
	SPI2_MISO ⁽¹⁾⁽³⁾					
PB15	SPI1_MOSI ⁽²⁾	TIM15_CH2 ⁽¹⁾⁽³⁾	TIM1_CH3N	TIM15_CH1N ⁽¹⁾⁽³⁾	-	-
	SPI2_MOSI ⁽¹⁾⁽³⁾					

1. This feature is available on STM32F030xC devices only.



2. This feature is available on STM32F030x4 and STM32F030x6 devices only.
3. This feature is available on STM32F030x8 devices only.

STM32F030x4/6/8/C

Table 14. Alternate functions selected through GPIOC_AFR registers for port C

Pin name	AF0 ⁽¹⁾	AF1 ⁽¹⁾	AF2 ⁽¹⁾
PC0	EVENTOUT ⁽¹⁾	-	USART6_TX ⁽¹⁾
PC1	EVENTOUT ⁽¹⁾	-	USART6_RX ⁽¹⁾
PC2	EVENTOUT ⁽¹⁾	SPI2_MISO ⁽¹⁾	-
PC3	EVENTOUT ⁽¹⁾	SPI2_MOSI ⁽¹⁾	-
PC4	EVENTOUT ⁽¹⁾	USART3_TX ⁽¹⁾	-
PC5	-	USART3_RX ⁽¹⁾	-
PC6	TIM3_CH1 ⁽¹⁾	-	-
PC7	TIM3_CH2 ⁽¹⁾	-	-
PC8	TIM3_CH3 ⁽¹⁾	-	-
PC9	TIM3_CH4 ⁽¹⁾	-	-
PC10	USART4_TX ⁽¹⁾	USART3_TX ⁽¹⁾	-
PC11	USART4_RX ⁽¹⁾	USART3_RX ⁽¹⁾	-
PC12	USART4_CK ⁽¹⁾	USART3_CK ⁽¹⁾	USART5_TX ⁽¹⁾
PC13	-	-	-
PC14	-	-	-
PC15	-	-	-

1. Available on STM32F030xC devices only.

Table 15. Alternate functions selected through GPIOD_AFR registers for port D

Pin name	AF0 ⁽¹⁾	AF1 ⁽¹⁾	AF2
PD2	TIM3_ETR ⁽¹⁾	USART3_RTS ⁽¹⁾	USART5_RX ⁽¹⁾

1. Available on STM32F030xC devices only.

Table 16. Alternate functions selected through GPIOF_AFR registers for port F

Pin name	AF0	AF1
PF0	-	I2C1_SDA ⁽¹⁾
PF1	-	I2C1_SCL ⁽¹⁾

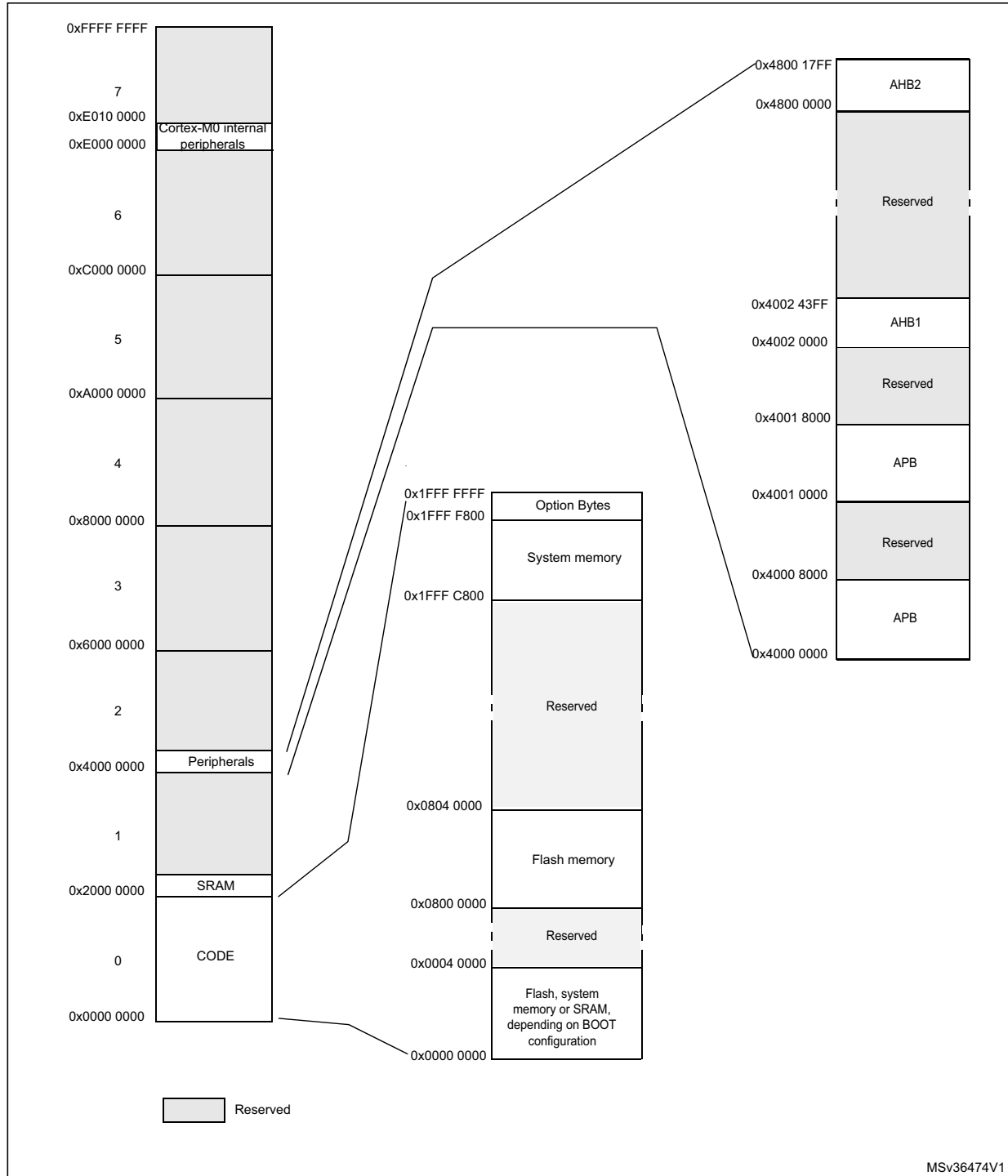
1. Available on STM32F030xC devices only.

STM32F030x4/6/8/C

Memory mapping

5 Memory mapping

Figure 9. STM32F030x4/6/8/C memory map



MSv36474V1

Memory mapping

STM32F030x4/6/8/C

Table 17. STM32F030x4/6/8/C peripheral register boundary addresses

Bus	Boundary address	Size	Peripheral
	0x4800 1800 - 0x5FFF FFFF	~384 MB	Reserved
AHB2	0x4800 1400 - 0x4800 17FF	1 KB	GPIOF
	0x4800 1000 - 0x4800 13FF	1 KB	Reserved
	0x4800 0C00 - 0x4800 0FFF	1 KB	GPIOD
	0x4800 0800 - 0x4800 0BFF	1 KB	GPIOC
	0x4800 0400 - 0x4800 07FF	1 KB	GPIOB
	0x4800 0000 - 0x4800 03FF	1 KB	GPIOA
	0x4002 4400 - 0x47FF FFFF	~128 MB	Reserved
AHB1	0x4002 3400 - 0x4002 43FF	4 KB	Reserved
	0x4002 3000 - 0x4002 33FF	1 KB	CRC
	0x4002 2400 - 0x4002 2FFF	3 KB	Reserved
	0x4002 2000 - 0x4002 23FF	1 KB	FLASH Interface
	0x4002 1400 - 0x4002 1FFF	3 KB	Reserved
	0x4002 1000 - 0x4002 13FF	1 KB	RCC
	0x4002 0400 - 0x4002 0FFF	3 KB	Reserved
	0x4002 0000 - 0x4002 03FF	1 KB	DMA
	0x4001 8000 - 0x4001 FFFF	32 KB	Reserved
APB	0x4001 5C00 - 0x4001 7FFF	9 KB	Reserved
	0x4001 5800 - 0x4001 5BFF	1 KB	DBGMCU
	0x4001 4C00 - 0x4001 57FF	3 KB	Reserved
	0x4001 4800 - 0x4001 4BFF	1 KB	TIM17
	0x4001 4400 - 0x4001 47FF	1 KB	TIM16
	0x4001 4000 - 0x4001 43FF	1 KB	TIM15 ⁽¹⁾
	0x4001 3C00 - 0x4001 3FFF	1 KB	Reserved
	0x4001 3800 - 0x4001 3BFF	1 KB	USART1
	0x4001 3400 - 0x4001 37FF	1 KB	Reserved
	0x4001 3000 - 0x4001 33FF	1 KB	SPI1
	0x4001 2C00 - 0x4001 2FFF	1 KB	TIM1
	0x4001 2800 - 0x4001 2BFF	1 KB	Reserved
	0x4001 2400 - 0x4001 27FF	1 KB	ADC
	0x4001 1800 - 0x4001 23FF	3 KB	Reserved
	0x4001 1400 - 0x4001 17FF	1 KB	USART6 ⁽²⁾
	0x4001 0800 - 0x4001 13FF	3 KB	Reserved
	0x4001 0400 - 0x4001 07FF	1 KB	EXTI
	0x4001 0000 - 0x4001 03FF	1 KB	SYSCFG

STM32F030x4/6/8/C

Memory mapping

Table 17. STM32F030x4/6/8/C peripheral register boundary addresses (continued)

Bus	Boundary address	Size	Peripheral
	0x4000 8000 - 0x4000 FFFF	32 KB	Reserved
APB	0x4000 7400 - 0x4000 7FFF	3 KB	Reserved
	0x4000 7000 - 0x4000 73FF	1 KB	PWR
	0x4000 5C00 - 0x4000 6FFF	5 KB	Reserved
	0x4000 5800 - 0x4000 5BFF	1 KB	I2C2 ⁽¹⁾
	0x4000 5400 - 0x4000 57FF	1 KB	I2C1
	0x4000 5000 - 0x4000 53FF	1 KB	USART5 ⁽²⁾
	0x4000 4C00 - 0x4000 4FFF	1 KB	USART4 ⁽²⁾
	0x4000 4800 - 0x4000 4BFF	1 KB	USART3 ⁽²⁾
	0x4000 4400 - 0x4000 47FF	1 KB	USART2 ⁽¹⁾
	0x4000 3C00 - 0x4000 43FF	2 KB	Reserved
	0x4000 3800 - 0x4000 3BFF	1 KB	SPI2 ⁽¹⁾
	0x4000 3400 - 0x4000 37FF	1 KB	Reserved
	0x4000 3000 - 0x4000 33FF	1 KB	IWDG
	0x4000 2C00 - 0x4000 2FFF	1 KB	WWDG
	0x4000 2800 - 0x4000 2BFF	1 KB	RTC
	0x4000 2400 - 0x4000 27FF	1 KB	Reserved
	0x4000 2000 - 0x4000 23FF	1 KB	TIM14
	0x4000 1800 - 0x4000 1FFF	2 KB	Reserved
	0x4000 1400 - 0x4000 17FF	1 KB	TIM7 ⁽²⁾
	0x4000 1000 - 0x4000 13FF	1 KB	TIM6 ⁽¹⁾
0x4000 0800 - 0x4000 0FFF	2 KB	Reserved	
0x4000 0400 - 0x4000 07FF	1 KB	TIM3	
0x4000 0000 - 0x4000 03FF	1 KB	Reserved	

1. This feature is available on STM32F030x8 and STM32F030xC devices only. For STM32F030x6 and STM32F060x4, the area is Reserved.
2. This feature is available on STM32F030xC devices only. This area is reserved for STM32F030x4/6/8 devices.

6 Electrical characteristics

6.1 Parameter conditions

Unless otherwise specified, all voltages are referenced to V_{SS} .

6.1.1 Minimum and maximum values

Unless otherwise specified, the minimum and maximum values are guaranteed in the worst conditions of ambient temperature, supply voltage and frequencies by tests in production on 100% of the devices with an ambient temperature at $T_A = 25\text{ }^\circ\text{C}$ and $T_A = T_{Amax}$ (given by the selected temperature range).

Data based on characterization results, design simulation and/or technology characteristics are indicated in the table footnotes and are not tested in production. Based on characterization, the minimum and maximum values refer to sample tests and represent the mean value plus or minus three times the standard deviation (mean $\pm 3\sigma$).

6.1.2 Typical values

Unless otherwise specified, typical data are based on $T_A = 25\text{ }^\circ\text{C}$, $V_{DD} = V_{DDA} = 3.3\text{ V}$. They are given only as design guidelines and are not tested.

Typical ADC accuracy values are determined by characterization of a batch of samples from a standard diffusion lot over the full temperature range, where 95% of the devices have an error less than or equal to the value indicated (mean $\pm 2\sigma$).

6.1.3 Typical curves

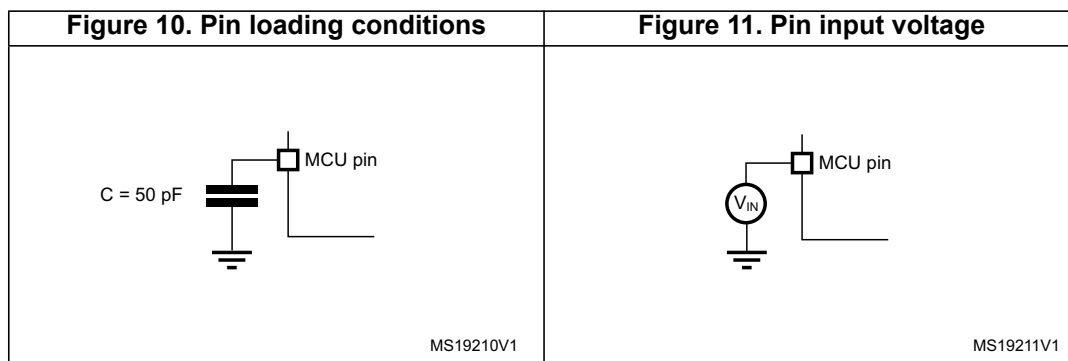
Unless otherwise specified, all typical curves are given only as design guidelines and are not tested.

6.1.4 Loading capacitor

The loading conditions used for pin parameter measurement are shown in [Figure 10](#).

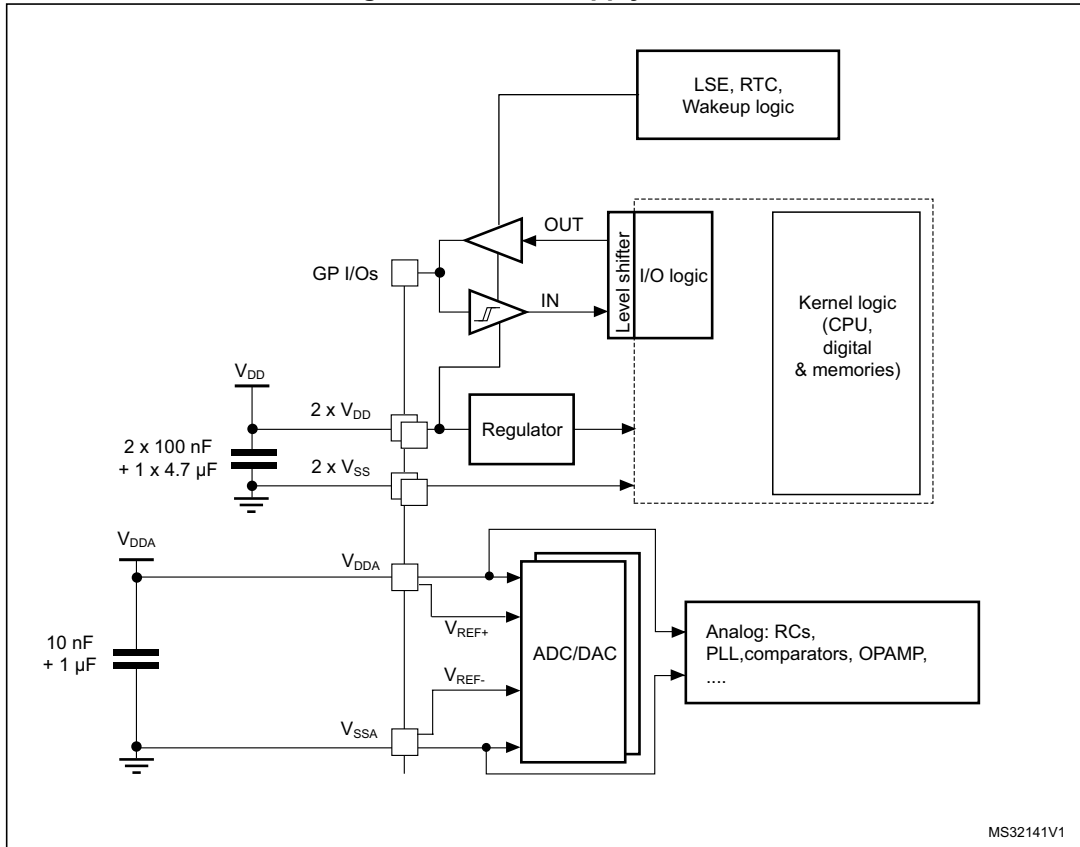
6.1.5 Pin input voltage

The input voltage measurement on a pin of the device is described in [Figure 11](#).



6.1.6 Power supply scheme

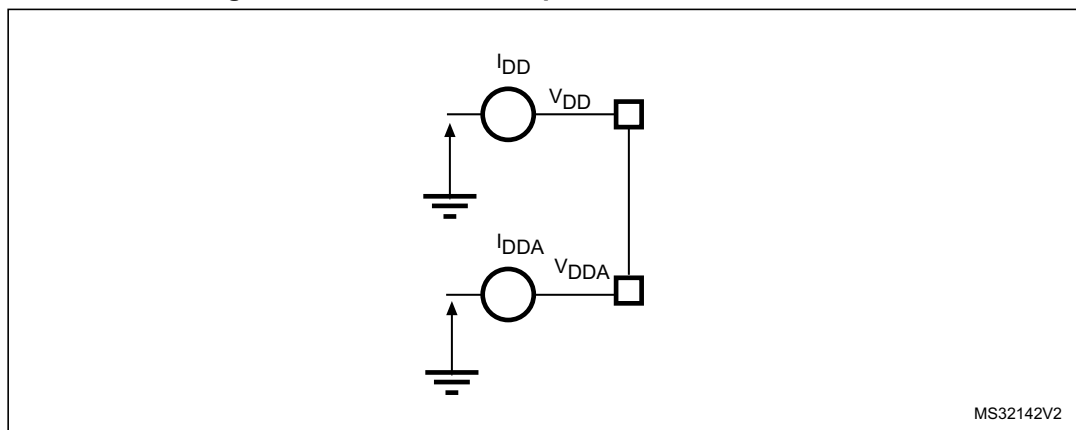
Figure 12. Power supply scheme



Caution: Each power supply pair (V_{DD}/V_{SS} , V_{DDA}/V_{SSA} etc.) must be decoupled with filtering ceramic capacitors as shown above. These capacitors must be placed as close as possible to, or below, the appropriate pins on the underside of the PCB to ensure the good functionality of the device.

6.1.7 Current consumption measurement

Figure 13. Current consumption measurement scheme



6.2 Absolute maximum ratings

Stresses above the absolute maximum ratings listed in [Table 18: Voltage characteristics](#), [Table 19: Current characteristics](#) and [Table 20: Thermal characteristics](#) may cause permanent damage to the device. These are stress *ratings* only and functional operation of the device at these conditions is not implied. Exposure to maximum rating conditions for extended periods may affect device reliability.

Table 18. Voltage characteristics⁽¹⁾

Symbol	Ratings	Min	Max	Unit
$V_{DD}-V_{SS}$	External main supply voltage	-0.3	4.0	V
$V_{DDA}-V_{SS}$	External analog supply voltage	-0.3	4.0	V
$V_{DD}-V_{DDA}$	Allowed voltage difference for $V_{DD} > V_{DDA}$	-	0.4	V
$V_{IN}^{(2)}$	Input voltage on FT and FTf pins	$V_{SS} - 0.3$	$V_{DDIOx} + 4.0^{(3)}$	V
	Input voltage on TTa pins	$V_{SS} - 0.3$	4.0	V
	BOOT0	0	$V_{DDIOx} + 4.0^{(3)}$	V
	Input voltage on any other pin	$V_{SS} - 0.3$	4.0	V
$ \Delta V_{DDx} $	Variations between different V_{DD} power pins	-	50	mV
$ V_{SSx} - V_{SS} $	Variations between all the different ground pins	-	50	mV
$V_{ESD(HBM)}$	Electrostatic discharge voltage (human body model)	see Section 6.3.12: Electrical sensitivity characteristics		

- All main power (V_{DD} , V_{DDA}) and ground (V_{SS} , V_{SSA}) pins must always be connected to the external power supply, in the permitted range.
- V_{IN} maximum must always be respected. Refer to [Table 19: Current characteristics](#) for the maximum allowed injected current values.
- V_{DDIOx} is internally connected with VDD pin.

Electrical characteristics

STM32F030x4/6/8/C

Table 19. Current characteristics

Symbol	Ratings	Max.	Unit
ΣI_{VDD}	Total current into sum of all VDD power lines (source) ⁽¹⁾	120	mA
ΣI_{VSS}	Total current out of sum of all VSS ground lines (sink) ⁽¹⁾	-120	
$I_{VDD(PIN)}$	Maximum current into each VDD power pin (source) ⁽¹⁾	100	
$I_{VSS(PIN)}$	Maximum current out of each VSS ground pin (sink) ⁽¹⁾	-100	
$I_{IO(PIN)}$	Output current sunk by any I/O and control pin	25	
	Output current source by any I/O and control pin	-25	
$\Sigma I_{IO(PIN)}$	Total output current sunk by sum of all I/Os and control pins ⁽²⁾	80	
	Total output current sourced by sum of all I/Os and control pins ⁽²⁾	-80	
$I_{INJ(PIN)}^{(3)}$	Injected current on FT and FTf pins	-5/+0 ⁽⁴⁾	
	Injected current on TC and RST pin	± 5	
	Injected current on TTa pins ⁽⁵⁾	± 5	
$\Sigma I_{INJ(PIN)}$	Total injected current (sum of all I/O and control pins) ⁽⁶⁾	± 25	

1. All main power (VDD, VDDA) and ground (VSS, VSSA) pins must always be connected to the external power supply, in the permitted range.
2. This current consumption must be correctly distributed over all I/Os and control pins. The total output current must not be sunk/sourced between two consecutive power supply pins referring to high pin count QFP packages.
3. A positive injection is induced by $V_{IN} > V_{DDIOx}$ while a negative injection is induced by $V_{IN} < V_{SS}$. $I_{INJ(PIN)}$ must never be exceeded. Refer to [Table 18: Voltage characteristics](#) for the maximum allowed input voltage values.
4. Positive injection is not possible on these I/Os and does not occur for input voltages lower than the specified maximum value.
5. On these I/Os, a positive injection is induced by $V_{IN} > V_{DDA}$. Negative injection disturbs the analog performance of the device. See note ⁽²⁾ below [Table 52: ADC accuracy](#).
6. When several inputs are submitted to a current injection, the maximum $\Sigma I_{INJ(PIN)}$ is the absolute sum of the positive and negative injected currents (instantaneous values).

Table 20. Thermal characteristics

Symbol	Ratings	Value	Unit
T_{STG}	Storage temperature range	-65 to +150	°C
T_J	Maximum junction temperature	150	°C

STM32F030x4/6/8/C

Electrical characteristics

6.3 Operating conditions

6.3.1 General operating conditions

Table 21. General operating conditions

Symbol	Parameter	Conditions	Min	Max	Unit
f _{HCLK}	Internal AHB clock frequency	-	0	48	MHz
f _{PCLK}	Internal APB clock frequency	-	0	48	
V _{DD}	Standard operating voltage	-	2.4	3.6	V
V _{DDA}	Analog operating voltage	Must have a potential equal to or higher than V _{DD}	2.4	3.6	V
V _{IN}	I/O input voltage	TC and RST I/O	-0.3	V _{DDIOx} +0.3	V
		TTa I/O	-0.3	V _{DDA} +0.3 ⁽²⁾	
		FT and FTf I/O	-0.3	5.5 ⁽²⁾	
		BOOT0	0	5.5	
P _D	Power dissipation at T _A = 85 °C for suffix 6 ⁽¹⁾	LQFP64	-	455	mW
		LQFP48	-	364	
		LQFP32	-	357	
		TSSOP20	-	263	
T _A	Ambient temperature for the suffix 6 version	Maximum power dissipation	-40	85	°C
		Low power dissipation ⁽²⁾	-40	105	
T _J	Junction temperature range	Suffix 6 version	-40	105	°C

1. If T_A is lower, higher P_D values are allowed as long as T_J does not exceed T_{Jmax}.
2. In low power dissipation state, T_A can be extended to this range as long as T_J does not exceed T_{Jmax} (see [Section 7.2: Thermal characteristics](#)).

6.3.2 Operating conditions at power-up / power-down

The parameters given in [Table 22](#) are derived from tests performed under the ambient temperature condition summarized in [Table 21](#).

Table 22. Operating conditions at power-up / power-down

Symbol	Parameter	Conditions	Min	Max	Unit
t _{VDD}	V _{DD} rise time rate	-	0	∞	µs/V
	V _{DD} fall time rate		20	∞	
t _{VDDA}	V _{DDA} rise time rate	-	0	∞	
	V _{DDA} fall time rate		20	∞	

Electrical characteristics

STM32F030x4/6/8/C

6.3.3 Embedded reset and power control block characteristics

The parameters given in [Table 23](#) are derived from tests performed under the ambient temperature and supply voltage conditions summarized in [Table 21: General operating conditions](#).

Table 23. Embedded reset and power control block characteristics

Symbol	Parameter	Conditions	Min	Typ	Max	Unit
$V_{POR/PDR}^{(1)}$	Power on/power down reset threshold	Falling edge ⁽²⁾	1.80	1.88	1.96 ⁽³⁾	V
		Rising edge	1.84 ⁽³⁾	1.92	2.00	V
$V_{PDRhyst}$	PDR hysteresis		-	40	-	mV
$t_{RSTTEMPO}^{(4)}$	Reset temporization		1.50	2.50	4.50	ms

1. The PDR detector monitors V_{DD} and also V_{DDA} (if kept enabled in the option bytes). The POR detector monitors only V_{DD} .
2. The product behavior is guaranteed by design down to the minimum $V_{POR/PDR}$ value.
3. Data based on characterization results, not tested in production.
4. Guaranteed by design, not tested in production.

6.3.4 Embedded reference voltage

The parameters given in [Table 24](#) are derived from tests performed under the ambient temperature and supply voltage conditions summarized in [Table 21: General operating conditions](#).

Table 24. Embedded internal reference voltage

Symbol	Parameter	Conditions	Min	Typ	Max	Unit
V_{REFINT}	Internal reference voltage	$-40\text{ }^{\circ}\text{C} < T_A < +85\text{ }^{\circ}\text{C}$	1.16	1.2	1.24 ⁽¹⁾	V
$t_{S_vrefint}$	ADC sampling time when reading the internal reference voltage		-	5.1	17.1 ⁽²⁾	μs
ΔV_{REFINT}	Internal reference voltage spread over the temperature range	$V_{DDA} = 3\text{ V}$	-	-	10 ⁽²⁾	mV
T_{Ccoeff}	Temperature coefficient		- 100 ⁽²⁾	-	100 ⁽²⁾	ppm/ $^{\circ}\text{C}$

1. Data based on characterization results, not tested in production.
2. Guaranteed by design, not tested in production.

6.3.5 Supply current characteristics

The current consumption is a function of several parameters and factors such as the operating voltage, ambient temperature, I/O pin loading, device software configuration, operating frequencies, I/O pin switching rate, program location in memory and executed binary code.

The current consumption is measured as described in [Figure 13: Current consumption measurement scheme](#).

STM32F030x4/6/8/C

Electrical characteristics

All Run-mode current consumption measurements given in this section are performed with a reduced code that gives a consumption equivalent to CoreMark code.

Typical and maximum current consumption

The MCU is placed under the following conditions:

- All I/O pins are in analog input mode
- All peripherals are disabled except when explicitly mentioned
- The Flash memory access time is adjusted to the f_{HCLK} frequency:
 - 0 wait state and Prefetch OFF from 0 to 24 MHz
 - 1 wait state and Prefetch ON above 24 MHz
- When the peripherals are enabled $f_{PCLK} = f_{HCLK}$

The parameters given in [Table 25](#) to [Table 27](#) are derived from tests performed under ambient temperature and supply voltage conditions summarized in [Table 21: General operating conditions](#).

Table 25. Typical and maximum current consumption from V_{DD} supply at $V_{DD} = 3.6 V^{(1)}$

Symbol	Parameter	Conditions	f_{HCLK}	All peripherals enabled		Unit
				Typ	Max @ $T_A^{(2)}$	
					85 °C	
I_{DD}	Supply current in Run mode, code executing from Flash	HSI or HSE clock, PLL on	48 MHz ⁽³⁾	22.0 ⁽³⁾	22.8 ⁽³⁾	mA
			48 MHz ⁽⁴⁾	26.8 ⁽⁴⁾	30.2 ⁽⁴⁾	
			24 MHz ⁽³⁾	12.2 ⁽³⁾	13.2 ⁽³⁾	
			24 MHz ⁽⁴⁾	14.1 ⁽⁴⁾	16.2 ⁽⁴⁾	
		HSI or HSE clock, PLL off	8 MHz ⁽³⁾	4.4 ⁽³⁾	5.2 ⁽³⁾	
			8 MHz ⁽⁴⁾	4.9 ⁽⁴⁾	5.6 ⁽⁴⁾	
I_{DD}	Supply current in Run mode, code executing from RAM	HSI or HSE clock, PLL on	48 MHz ⁽³⁾	22.2 ⁽³⁾	23.2 ⁽³⁾	mA
			48 MHz ⁽⁴⁾	26.1 ⁽⁴⁾	29.3 ⁽⁴⁾	
			24 MHz ⁽³⁾	11.2 ⁽³⁾	12.2 ⁽³⁾	
			24 MHz ⁽⁴⁾	13.3 ⁽⁴⁾	15.7 ⁽⁴⁾	
		HSI or HSE clock, PLL off	8 MHz ⁽³⁾	4.0 ⁽³⁾	4.5 ⁽³⁾	
			8 MHz ⁽⁴⁾	4.6 ⁽⁴⁾	5.2 ⁽⁴⁾	
I_{DD}	Supply current in Sleep mode, code executing from Flash or RAM	HSI or HSE clock, PLL on	48 MHz ⁽³⁾	14 ⁽³⁾	15.3 ⁽³⁾	mA
			48 MHz ⁽⁴⁾	17.0 ⁽⁴⁾	19.0 ⁽⁴⁾	
			24 MHz ⁽³⁾	7.3 ⁽³⁾	7.8 ⁽³⁾	
			24 MHz ⁽⁴⁾	8.7 ⁽⁴⁾	10.1 ⁽⁴⁾	
		HSI or HSE clock, PLL off	8 MHz ⁽³⁾	2.6 ⁽³⁾	2.9 ⁽³⁾	
			8 MHz ⁽⁴⁾	3.0 ⁽⁴⁾	3.5 ⁽⁴⁾	

1. The gray shading is used to distinguish the values for STM32F030xC devices.
 2. Data based on characterization results, not tested in production unless otherwise specified.

Electrical characteristics

STM32F030x4/6/8/C

- 3. For STM32F030x4/6/8 devices.
- 4. For STM32F030xC devices only.

Table 26. Typical and maximum current consumption from the V_{DDA} supply⁽¹⁾

Symbol	Parameter	Conditions ⁽²⁾	f _{HCLK}	V _{DDA} = 3.6 V		Unit
				Typ	Max @ T _A ⁽³⁾	
					85 °C	
I _{DDA}	Supply current in Run mode, code executing from Flash or RAM	HSE bypass, PLL on	48 MHz ⁽⁴⁾	175 ⁽⁴⁾	215 ⁽⁴⁾	µA
			48 MHz ⁽⁵⁾	160 ⁽⁵⁾	192 ⁽⁵⁾	
		HSE bypass, PLL off	8 MHz ⁽⁴⁾	3.9 ⁽⁴⁾	4.9 ⁽⁴⁾	
			8 MHz ⁽⁵⁾	3.7 ⁽⁵⁾	4.6 ⁽⁵⁾	
			1 MHz ⁽⁴⁾	3.9 ⁽⁴⁾	4.1 ⁽⁴⁾	
			1 MHz ⁽⁵⁾	3.3 ⁽⁵⁾	4.4 ⁽⁵⁾	
		HSI clock, PLL on	48 MHz ⁽⁴⁾	244 ⁽⁴⁾	275 ⁽⁴⁾	
			48 MHz ⁽⁵⁾	235 ⁽⁵⁾	275 ⁽⁵⁾	
	HSI clock, PLL off	8 MHz ⁽⁴⁾	85 ⁽⁴⁾	105 ⁽⁴⁾		
		8 MHz ⁽⁵⁾	77 ⁽⁵⁾	92 ⁽⁵⁾		
	Supply current in Run or Sleep mode, code executing from Flash or RAM	HSE bypass, PLL on	48 MHz ⁽⁴⁾	174 ⁽⁴⁾	215 ⁽⁴⁾	
			8 MHz ⁽⁴⁾	3.9 ⁽⁴⁾	4.9 ⁽⁴⁾	
		HSE bypass, PLL off	1 MHz ⁽⁴⁾	3.9 ⁽⁴⁾	4.9 ⁽⁴⁾	
			48 MHz ⁽⁴⁾	244 ⁽⁴⁾	299 ⁽⁴⁾	
	HSI clock, PLL off	8 MHz ⁽⁴⁾	85 ⁽⁴⁾	105 ⁽⁴⁾		

- 1. The gray shading is used to distinguish the values for STM32F030xC devices.
- 2. Current consumption from the V_{DDA} supply is independent of whether the digital peripherals are enabled or disabled, being in Run or Sleep mode or executing from Flash or RAM. Furthermore, when the PLL is off, I_{DDA} is independent from the frequency.
- 3. Data based on characterization results, not tested in production.
- 4. For STM32F030x4/6/8 devices.
- 5. For STM32F030xC devices.

STM32F030x4/6/8/C

Electrical characteristics

Table 27. Typical and maximum consumption in Stop and Standby modes

Symbol	Parameter	Conditions		Typ @V _{DD} (V _{DD} = V _{D_{DA}})	Max ⁽¹⁾	Unit
				3.6 V	T _A = 85 °C	
I _{DD}	Supply current in Stop mode	Regulator in run mode, all oscillators OFF		19	48	μA
		Regulator in low-power mode, all oscillators OFF		5	32	
	Supply current in Standby mode	LSI ON and IWDG ON		2	-	
I _{D_{DA}}	Supply current in Stop mode	V _{D_{DA}} monitoring ON	Regulator in run or low-power mode, all oscillators OFF	2.9	3.5	
	Supply current in Standby mode		LSI ON and IWDG ON	3.3	-	
			LSI OFF and IWDG OFF	2.8	3.5	
	Supply current in Stop mode	V _{D_{DA}} monitoring OFF	Regulator in run or low-power mode, all oscillators OFF	1.7	-	
			LSI ON and IWDG ON	2.3	-	
			LSI OFF and IWDG OFF	1.4	-	

1. Data based on characterization results, not tested in production unless otherwise specified.

Electrical characteristics

STM32F030x4/6/8/C

Typical current consumption

The MCU is placed under the following conditions:

- $V_{DD} = V_{DDA} = 3.3\text{ V}$
- All I/O pins are in analog input configuration
- The Flash access time is adjusted to f_{HCLK} frequency:
 - 0 wait state and Prefetch OFF from 0 to 24 MHz
 - 1 wait state and Prefetch ON above 24 MHz
- When the peripherals are enabled, $f_{PCLK} = f_{HCLK}$
- PLL is used for frequencies greater than 8 MHz
- AHB prescaler of 2, 4, 8 and 16 is used for the frequencies 4 MHz, 2 MHz, 1 MHz and 500 kHz respectively

Table 28. Typical current consumption in Run mode, code with data processing running from Flash

Symbol	Parameter	Conditions	f_{HCLK}	Typ		Unit
				Peripherals enabled	Peripherals disabled	
I_{DD}	Supply current in Run mode from V_{DD} supply	Running from HSE crystal clock 8 MHz, code executing from Flash	48 MHz	23.3	11.5	mA
			8 MHz	4.5	3.0	
I_{DDA}	Supply current in Run mode from V_{DDA} supply		48 MHz	158	158	μA
			8 MHz	2.43	2.43	

STM32F030x4/6/8/C

Electrical characteristics

I/O system current consumption

The current consumption of the I/O system has two components: static and dynamic.

I/O static current consumption

All the I/Os used as inputs with pull-up generate current consumption when the pin is externally held low. The value of this current consumption can be simply computed by using the pull-up/pull-down resistors values given in *Table 46: I/O static characteristics*.

For the output pins, any external pull-down or external load must also be considered to estimate the current consumption.

Additional I/O current consumption is due to I/Os configured as inputs if an intermediate voltage level is externally applied. This current consumption is caused by the input Schmitt trigger circuits used to discriminate the input value. Unless this specific configuration is required by the application, this supply current consumption can be avoided by configuring these I/Os in analog mode. This is notably the case of ADC input pins which should be configured as analog inputs.

Caution: Any floating input pin can also settle to an intermediate voltage level or switch inadvertently, as a result of external electromagnetic noise. To avoid current consumption related to floating pins, they must either be configured in analog mode, or forced internally to a definite digital value. This can be done either by using pull-up/down resistors or by configuring the pins in output mode.

I/O dynamic current consumption

In addition to the internal peripheral current consumption measured previously, the I/Os used by an application also contribute to the current consumption. When an I/O pin switches, it uses the current from the I/O supply voltage to supply the I/O pin circuitry and to charge/discharge the capacitive load (internal or external) connected to the pin:

$$I_{SW} = V_{DDIOx} \times f_{SW} \times C$$

where

I_{SW} is the current sunk by a switching I/O to charge/discharge the capacitive load

V_{DDIOx} is the I/O supply voltage

f_{SW} is the I/O switching frequency

C is the total capacitance seen by the I/O pin: $C = C_{INT} + C_{EXT} + C_S$

C_S is the PCB board capacitance including the pad pin.

The test pin is configured in push-pull output mode and is toggled by software at a fixed frequency.

Electrical characteristics

STM32F030x4/6/8/C

Table 29. Switching output I/O current consumption

Symbol	Parameter	Conditions ⁽¹⁾	I/O toggling frequency (f _{sw})	Typ	Unit
I _{sw}	I/O current consumption	$V_{DDIOx} = 3.3\text{ V}$ $C_{EXT} = 0\text{ pF}$ $C = C_{INT} + C_{EXT} + C_S$	4 MHz	0.18	mA
			8 MHz	0.37	
			16 MHz	0.76	
			24 MHz	1.39	
			48 MHz	2.188	
		$V_{DDIOx} = 3.3\text{ V}$ $C_{EXT} = 22\text{ pF}$ $C = C_{INT} + C_{EXT} + C_S$	4 MHz	0.49	
			8 MHz	0.94	
			16 MHz	2.38	
			24 MHz	3.99	
		$V_{DDIOx} = 3.3\text{ V}$ $C_{EXT} = 47\text{ pF}$ $C = C_{INT} + C_{EXT} + C_S$ $C = C_{int}$	4 MHz	0.81	
			8 MHz	1.7	
			16 MHz	3.67	

1. C_S = 7 pF (estimated value).

6.3.6 Wakeup time from low-power mode

The wakeup times given in [Table 30](#) are the latency between the event and the execution of the first user instruction. The device goes in low-power mode after the WFE (Wait For Event) instruction, in the case of a WFI (Wait For Interruption) instruction, 16 CPU cycles must be added to the following timings due to the interrupt latency in the Cortex M0 architecture.

The SYSCLK clock source setting is kept unchanged after wakeup from Sleep mode. During wakeup from Stop or Standby mode, SYSCLK takes the default setting: HSI 8 MHz.

The wakeup source from Sleep and Stop mode is an EXTI line configured in event mode. The wakeup source from Standby mode is the WKUP1 pin (PA0).

All timings are derived from tests performed under the ambient temperature and supply voltage conditions summarized in [Table 21: General operating conditions](#).

Table 30. Low-power mode wakeup timings

Symbol	Parameter	Conditions	Typ @VDD = VDDA	Max	Unit
			= 3.3 V		
t _{WU} STOP	Wakeup from Stop mode	Regulator in run mode	2.8	5	μs
t _{WU} STANDBY	Wakeup from Standby mode	-	51	-	
t _{WU} SLEEP	Wakeup from Sleep mode	-	4 SYSCLK cycles	-	

Electrical characteristics

STM32F030x4/6/8/C

6.3.7 External clock source characteristics

High-speed external user clock generated from an external source

In bypass mode the HSE oscillator is switched off and the input pin is a standard GPIO.

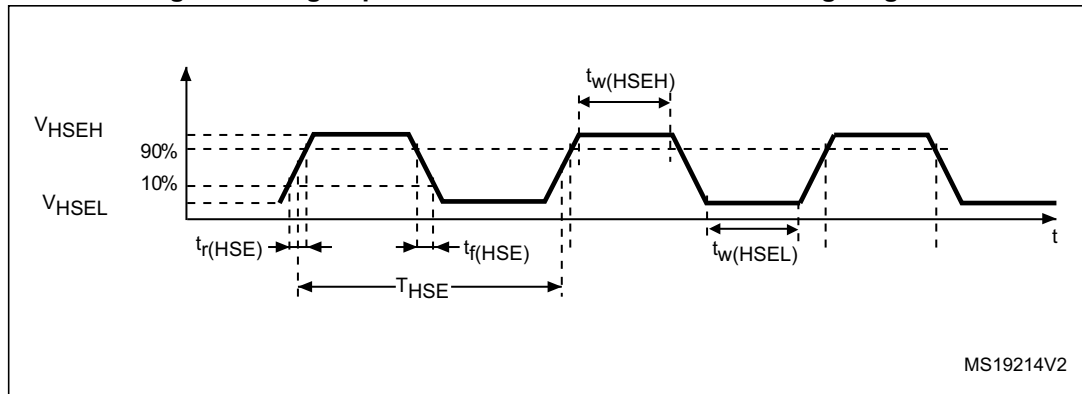
The external clock signal has to respect the I/O characteristics in *Section 6.3.14*. However, the recommended clock input waveform is shown in *Figure 14: High-speed external clock source AC timing diagram*.

Table 31. High-speed external user clock characteristics

Symbol	Parameter ⁽¹⁾	Min	Typ	Max	Unit
f_{HSE_ext}	User external clock source frequency	1	8	32	MHz
V_{HSEH}	OSC_IN input pin high level voltage	$0.7 V_{DDIOx}$	-	V_{DDIOx}	V
V_{HSEL}	OSC_IN input pin low level voltage	V_{SS}	-	$0.3 V_{DDIOx}$	
$t_{w(HSEH)}$ $t_{w(HSEL)}$	OSC_IN high or low time	15	-	-	ns
$t_r(HSE)$ $t_f(HSE)$	OSC_IN rise or fall time	-	-	20	

1. Guaranteed by design, not tested in production.

Figure 14. High-speed external clock source AC timing diagram



STM32F030x4/6/8/C

Electrical characteristics

Low-speed external user clock generated from an external source

In bypass mode the LSE oscillator is switched off and the input pin is a standard GPIO.

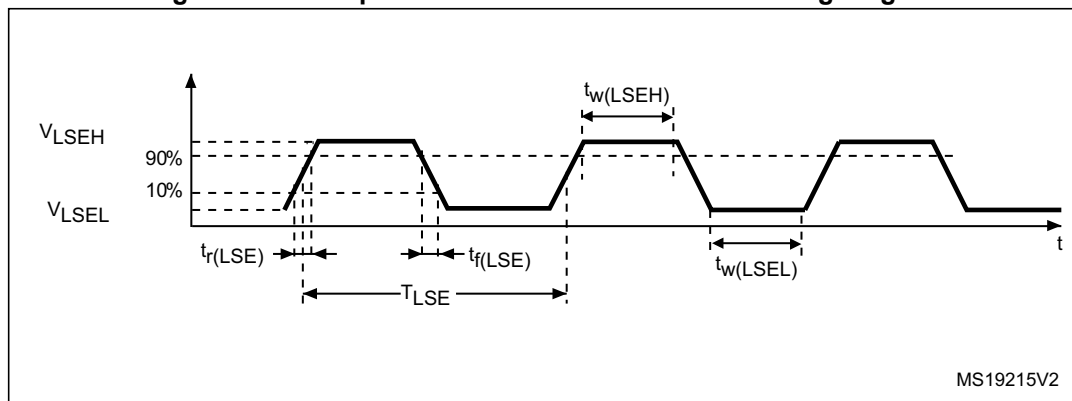
The external clock signal has to respect the I/O characteristics in *Section 6.3.14*. However, the recommended clock input waveform is shown in *Figure 15*.

Table 32. Low-speed external user clock characteristics

Symbol	Parameter ⁽¹⁾	Min	Typ	Max	Unit
f_{LSE_ext}	User external clock source frequency	-	32.768	1000	kHz
V_{LSEH}	OSC32_IN input pin high level voltage	$0.7 V_{DDIOx}$	-	V_{DDIOx}	V
V_{LSEL}	OSC32_IN input pin low level voltage	V_{SS}	-	$0.3 V_{DDIOx}$	
$t_{w(LSEH)}$ $t_{w(LSEL)}$	OSC32_IN high or low time	450	-	-	ns
$t_{r(LSE)}$ $t_{f(LSE)}$	OSC32_IN rise or fall time	-	-	50	

1. Guaranteed by design, not tested in production.

Figure 15. Low-speed external clock source AC timing diagram



Electrical characteristics

STM32F030x4/6/8/C

High-speed external clock generated from a crystal/ceramic resonator

The high-speed external (HSE) clock can be supplied with a 4 to 32 MHz crystal/ceramic resonator oscillator. All the information given in this paragraph are based on design simulation results obtained with typical external components specified in *Table 33*. In the application, the resonator and the load capacitors have to be placed as close as possible to the oscillator pins in order to minimize output distortion and startup stabilization time. Refer to the crystal resonator manufacturer for more details on the resonator characteristics (frequency, package, accuracy).

Table 33. HSE oscillator characteristics

Symbol	Parameter	Conditions ⁽¹⁾	Min ⁽²⁾	Typ	Max ⁽²⁾	Unit
f _{OSC_IN}	Oscillator frequency		4	8	32	MHz
R _F	Feedback resistor		-	200	-	kΩ
I _{DD}	HSE current consumption	During startup ⁽³⁾	-	-	8.5	mA
		V _{DD} = 3.3 V, R _m = 45 Ω, CL = 10 pF@8 MHz	-	0.5	-	
		V _{DD} = 3.3 V, R _m = 30 Ω, CL = 20 pF@32 MHz	-	1.5	-	
g _m	Oscillator transconductance	Startup	10	-	-	mA/V
t _{SU(HSE)} ⁽⁴⁾	Startup time	V _{DD} is stabilized	-	2	-	ms

1. Resonator characteristics given by the crystal/ceramic resonator manufacturer.
2. Guaranteed by design, not tested in production.
3. This consumption level occurs during the first 2/3 of the t_{SU(HSE)} startup time
4. t_{SU(HSE)} is the startup time measured from the moment it is enabled (by software) to a stabilized 8 MHz oscillation is reached. This value is measured for a standard crystal resonator and it can vary significantly with the crystal manufacturer

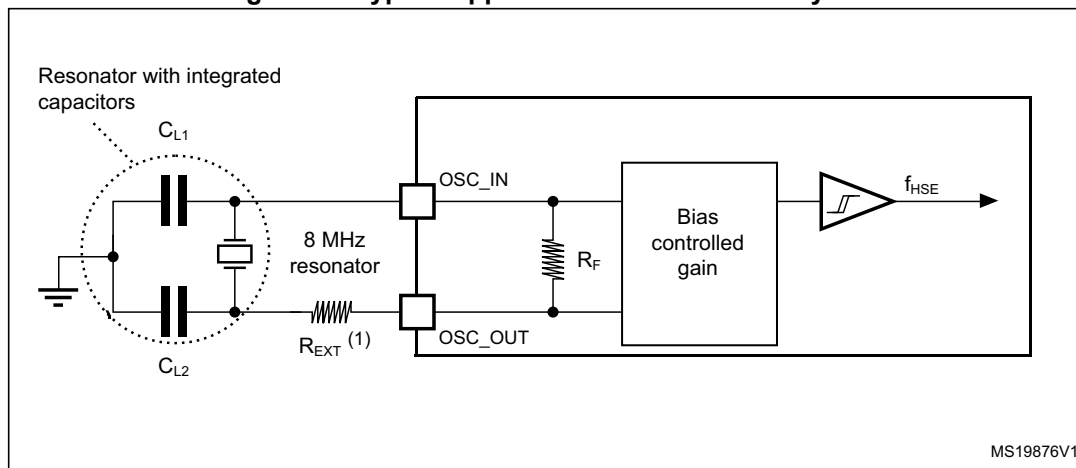
For C_{L1} and C_{L2}, it is recommended to use high-quality external ceramic capacitors in the 5 pF to 20 pF range (Typ.), designed for high-frequency applications, and selected to match the requirements of the crystal or resonator (see *Figure 16*). C_{L1} and C_{L2} are usually the same size. The crystal manufacturer typically specifies a load capacitance which is the series combination of C_{L1} and C_{L2}. PCB and MCU pin capacitance must be included (10 pF can be used as a rough estimate of the combined pin and board capacitance) when sizing C_{L1} and C_{L2}.

Note: For information on selecting the crystal, refer to the application note AN2867 “Oscillator design guide for ST microcontrollers” available from the ST website www.st.com.

STM32F030x4/6/8/C

Electrical characteristics

Figure 16. Typical application with an 8 MHz crystal



1. R_{EXT} value depends on the crystal characteristics.

Electrical characteristics

STM32F030x4/6/8/C

Low-speed external clock generated from a crystal resonator

The low-speed external (LSE) clock can be supplied with a 32.768 kHz crystal resonator oscillator. All the information given in this paragraph are based on design simulation results obtained with typical external components specified in *Table 34*. In the application, the resonator and the load capacitors have to be placed as close as possible to the oscillator pins in order to minimize output distortion and startup stabilization time. Refer to the crystal resonator manufacturer for more details on the resonator characteristics (frequency, package, accuracy).

Table 34. LSE oscillator characteristics (f_{LSE} = 32.768 kHz)

Symbol	Parameter	Conditions ⁽¹⁾	Min ⁽²⁾	Typ	Max ⁽²⁾	Unit
I _{DD}	LSE current consumption	LSEDRV[1:0]=00 lower driving capability	-	0.5	0.9	μA
		LSEDRV[1:0]= 01 medium low driving capability	-	-	1	
		LSEDRV[1:0] = 10 medium high driving capability	-	-	1.3	
		LSEDRV[1:0]=11 higher driving capability	-	-	1.6	
g _m	Oscillator transconductance	LSEDRV[1:0]=00 lower driving capability	5	-	-	μA/V
		LSEDRV[1:0]= 01 medium low driving capability	8	-	-	
		LSEDRV[1:0] = 10 medium high driving capability	15	-	-	
		LSEDRV[1:0]=11 higher driving capability	25	-	-	
t _{SU(LSE)} ⁽³⁾	Startup time	V _{DDIOX} is stabilized	-	2	-	s

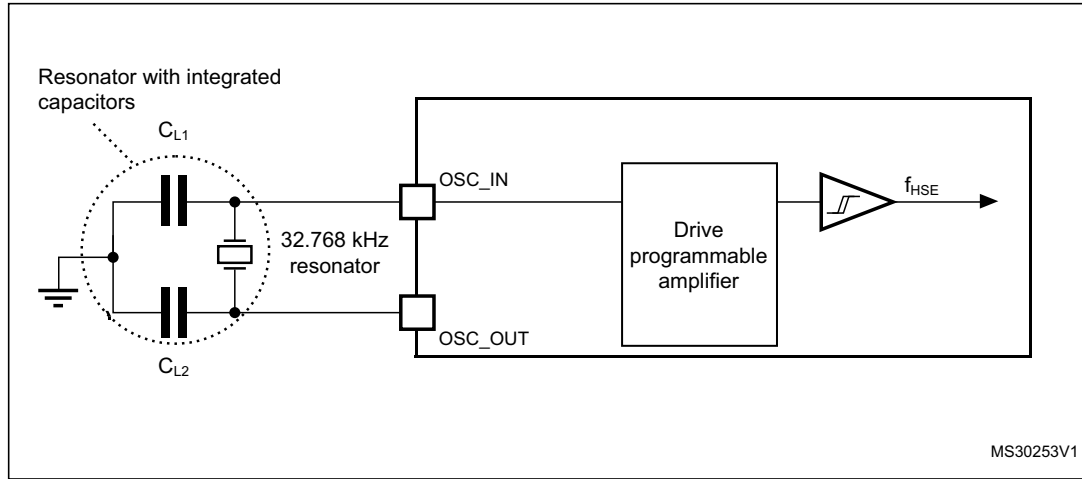
1. Refer to the note and caution paragraphs below the table, and to the application note AN2867 "Oscillator design guide for ST microcontrollers".
2. Guaranteed by design, not tested in production.
3. t_{SU(LSE)} is the startup time measured from the moment it is enabled (by software) to a stabilized 32.768 kHz oscillation is reached. This value is measured for a standard crystal and it can vary significantly with the crystal manufacturer

Note: For information on selecting the crystal, refer to the application note AN2867 "Oscillator design guide for ST microcontrollers" available from the ST website www.st.com.

STM32F030x4/6/8/C

Electrical characteristics

Figure 17. Typical application with a 32.768 kHz crystal



Note: An external resistor is not required between OSC32_IN and OSC32_OUT and it is forbidden to add one.

Electrical characteristics

STM32F030x4/6/8/C

6.3.8 Internal clock source characteristics

The parameters given in *Table 35* are derived from tests performed under ambient temperature and supply voltage conditions summarized in *Table 21: General operating conditions*. The provided curves are characterization results, not tested in production.

High-speed internal (HSI) RC oscillator

Table 35. HSI oscillator characteristics⁽¹⁾

Symbol	Parameter	Conditions	Min	Typ	Max	Unit
f _{HSI}	Frequency	-	-	8	-	MHz
TRIM	HSI user trimming step	-	-	-	1 ⁽²⁾	%
DuCy _{HSI}	Duty cycle	-	45 ⁽²⁾	-	55 ⁽²⁾	%
ACC _{HSI}	Accuracy of the HSI oscillator (factory calibrated)	T _A = -40 to 85°C	-	±5	-	%
		T _A = 25°C	-	±1 ⁽³⁾	-	%
t _{SU(HSI)}	HSI oscillator startup time	-	1 ⁽²⁾	-	2 ⁽²⁾	µs
I _{DDA(HSI)}	HSI oscillator power consumption	-	-	80	-	µA

1. V_{DDA} = 3.3 V, T_A = -40 to 85°C unless otherwise specified.
2. Guaranteed by design, not tested in production.
3. With user calibration.

High-speed internal 14 MHz (HSI14) RC oscillator (dedicated to ADC)

Table 36. HSI14 oscillator characteristics⁽¹⁾

Symbol	Parameter	Conditions	Min	Typ	Max	Unit
f _{HSI14}	Frequency	-	-	14	-	MHz
TRIM	HSI14 user-trimming step	-	-	-	1 ⁽²⁾	%
DuCy _(HSI14)	Duty cycle	-	45 ⁽²⁾	-	55 ⁽²⁾	%
ACC _{HSI14}	Accuracy of the HSI14 oscillator (factory calibrated)	T _A = -40 to 85 °C	-	±5	-	%
t _{SU(HSI14)}	HSI14 oscillator startup time	-	1 ⁽²⁾	-	2 ⁽²⁾	µs
I _{DDA(HSI14)}	HSI14 oscillator power consumption	-	-	100	-	µA

1. V_{DDA} = 3.3 V, T_A = -40 to 85 °C unless otherwise specified.
2. Guaranteed by design, not tested in production.

STM32F030x4/6/8/C

Electrical characteristics

Low-speed internal (LSI) RC oscillator

Table 37. LSI oscillator characteristics⁽¹⁾

Symbol	Parameter	Min	Typ	Max	Unit
f_{LSI}	Frequency	30	40	50	kHz
$t_{su(LSI)}^{(2)}$	LSI oscillator startup time	-	-	85	μ s
$I_{DDA(LSI)}^{(2)}$	LSI oscillator power consumption	-	0.75	-	μ A

1. $V_{DDA} = 3.3$ V, $T_A = -40$ to 85 °C unless otherwise specified.

2. Guaranteed by design, not tested in production.

6.3.9 PLL characteristics

The parameters given in [Table 38](#) are derived from tests performed under ambient temperature and supply voltage conditions summarized in [Table 21: General operating conditions](#).

Table 38. PLL characteristics

Symbol	Parameter	Value			Unit
		Min	Typ	Max	
f_{PLL_IN}	PLL input clock ⁽¹⁾	1 ⁽²⁾	8.0	24 ⁽²⁾	MHz
	PLL input clock duty cycle	40 ⁽²⁾	-	60 ⁽²⁾	%
f_{PLL_OUT}	PLL multiplier output clock	16 ⁽²⁾	-	48	MHz
t_{LOCK}	PLL lock time	-	-	200 ⁽²⁾	μ s
Jitter _{PLL}	Cycle-to-cycle jitter	-	-	300 ⁽²⁾	ps

1. Take care to use the appropriate multiplier factors to obtain PLL input clock values compatible with the range defined by f_{PLL_OUT} .

2. Guaranteed by design, not tested in production.

Electrical characteristics

STM32F030x4/6/8/C

6.3.10 Memory characteristics

Flash memory

The characteristics are given at $T_A = -40$ to 85 °C unless otherwise specified.

Table 39. Flash memory characteristics

Symbol	Parameter	Conditions	Min	Typ	Max ⁽¹⁾	Unit
t_{prog}	16-bit programming time	$T_A = -40$ to $+85$ °C	-	53.5	-	µs
t_{ERASE}	Page erase time ⁽²⁾	$T_A = -40$ to $+85$ °C	-	30	-	ms
t_{ME}	Mass erase time	$T_A = -40$ to $+85$ °C	-	30	-	ms
I_{DD}	Supply current	Write mode	-	-	10	mA
		Erase mode	-	-	12	mA
V_{prog}	Programming voltage		2.4	-	3.6	V

1. Guaranteed by design, not tested in production.
2. Page size is 1KB for STM32F030x4/6/8 devices and 2KB for STM32F030xC devices

Table 40. Flash memory endurance and data retention

Symbol	Parameter	Conditions	Min ⁽¹⁾	Unit
N_{END}	Endurance	$T_A = -40$ to $+85$ °C	1	kcycles
t_{RET}	Data retention	1 kcycle ⁽²⁾ at $T_A = 85$ °C	20	Years

1. Data based on characterization results, not tested in production.
2. Cycling performed over the whole temperature range.

6.3.11 EMC characteristics

Susceptibility tests are performed on a sample basis during device characterization.

Functional EMS (electromagnetic susceptibility)

While a simple application is executed on the device (toggling 2 LEDs through I/O ports), the device is stressed by two electromagnetic events until a failure occurs. The failure is indicated by the LEDs:

- **Electrostatic discharge (ESD)** (positive and negative) is applied to all device pins until a functional disturbance occurs. This test is compliant with the IEC 61000-4-2 standard.
- **FTB:** A Burst of Fast Transient voltage (positive and negative) is applied to V_{DD} and V_{SS} through a 100 pF capacitor, until a functional disturbance occurs. This test is compliant with the IEC 61000-4-4 standard.

A device reset allows normal operations to be resumed.

The test results are given in [Table 41](#). They are based on the EMS levels and classes defined in application note AN1709.

STM32F030x4/6/8/C

Electrical characteristics

Table 41. EMS characteristics

Symbol	Parameter	Conditions	Level/Class
V _{FESD}	Voltage limits to be applied on any I/O pin to induce a functional disturbance	V _{DD} = 3.3V, LQFP48, T _A = +25 °C, f _{HCLK} = 48 MHz, conforming to IEC 61000-4-2	3B
V _{EFTB}	Fast transient voltage burst limits to be applied through 100 pF on V _{DD} and V _{SS} pins to induce a functional disturbance	V _{DD} = 3.3V, LQFP48, T _A = +25 °C, f _{HCLK} = 48 MHz, conforming to IEC 61000-4-4	4B

Designing hardened software to avoid noise problems

EMC characterization and optimization are performed at component level with a typical application environment and simplified MCU software. It should be noted that good EMC performance is highly dependent on the user application and the software in particular.

Therefore it is recommended that the user applies EMC software optimization and prequalification tests in relation with the EMC level requested for his application.

Software recommendations

The software flowchart must include the management of runaway conditions such as:

- Corrupted program counter
- Unexpected reset
- Critical Data corruption (control registers...)

Prequalification trials

Most of the common failures (unexpected reset and program counter corruption) can be reproduced by manually forcing a low state on the NRST pin or the Oscillator pins for 1 second.

To complete these trials, ESD stress can be applied directly on the device, over the range of specification values. When unexpected behavior is detected, the software can be hardened to prevent unrecoverable errors occurring (see application note AN1015).

Electromagnetic Interference (EMI)

The electromagnetic field emitted by the device are monitored while a simple application is executed (toggling 2 LEDs through the I/O ports). This emission test is compliant with IEC 61967-2 standard which specifies the test board and the pin loading.

Table 42. EMI characteristics

Symbol	Parameter	Conditions	Monitored frequency band	Max vs. [f _{HSE} /f _{HCLK}]	Unit
				8/48 MHz	
S _{EMI}	Peak level	V _{DD} = 3.6 V, T _A = 25 °C, LQFP100 package compliant with IEC 61967-2	0.1 to 30 MHz	-3	dBµV
			30 to 130 MHz	23	
			130 MHz to 1 GHz	17	
			EMI Level	4	-

Electrical characteristics

STM32F030x4/6/8/C

6.3.12 Electrical sensitivity characteristics

Based on three different tests (ESD, LU) using specific measurement methods, the device is stressed in order to determine its performance in terms of electrical sensitivity.

Electrostatic discharge (ESD)

Electrostatic discharges (a positive then a negative pulse separated by 1 second) are applied to the pins of each sample according to each pin combination. The sample size depends on the number of supply pins in the device (3 parts × (n+1) supply pins). This test conforms to the JESD22-A114/C101 standard.

Table 43. ESD absolute maximum ratings

Symbol	Ratings	Conditions	Packages	Class	Maximum value ⁽¹⁾	Unit
V _{ESD(HBM)}	Electrostatic discharge voltage (human body model)	T _A = +25 °C, conforming to JESD22-A114	All	2	2000	V
V _{ESD(CDM)}	Electrostatic discharge voltage (charge device model)	T _A = +25 °C, conforming to ANSI/ESD STM5.3.1	All	II	500	V

1. Data based on characterization results, not tested in production.

Static latch-up

Two complementary static tests are required on six parts to assess the latch-up performance:

- A supply overvoltage is applied to each power supply pin.
- A current injection is applied to each input, output and configurable I/O pin.

These tests are compliant with EIA/JESD 78A IC latch-up standard.

Table 44. Electrical sensitivities

Symbol	Parameter	Conditions	Class
LU	Static latch-up class	T _A = +105 °C conforming to JESD78A	II level A

6.3.13 I/O current injection characteristics

As a general rule, current injection to the I/O pins, due to external voltage below V_{SS} or above V_{DDIOx} (for standard, 3.3 V-capable I/O pins) should be avoided during normal product operation. However, in order to give an indication of the robustness of the microcontroller in cases when abnormal injection accidentally happens, susceptibility tests are performed on a sample basis during device characterization.

Functional susceptibility to I/O current injection

While a simple application is executed on the device, the device is stressed by injecting current into the I/O pins programmed in floating input mode. While current is injected into the I/O pin, one at a time, the device is checked for functional failures.

The failure is indicated by an out of range parameter: ADC error above a certain limit (higher than 5 LSB TUE), out of conventional limits of induced leakage current on adjacent pins (out of the $-5 \mu A/+0 \mu A$ range) or other functional failure (for example reset occurrence or oscillator frequency deviation).

The characterization results are given in [Table 45](#).

Negative induced leakage current is caused by negative injection and positive induced leakage current is caused by positive injection.

Table 45. I/O current injection susceptibility

Symbol	Description	Functional susceptibility		Unit
		Negative injection	Positive injection	
I_{INJ}	Injected current on BOOT0 and PF1 pins	-0	NA	mA
	Injected current on PA9, PB3, PB13, PF11 pins with induced leakage current on adjacent pins less than 50 μA	-5	NA	
	Injected current on PA11 and PA12 pins with induced leakage current on adjacent pins less than -1 mA	-5	NA	
	Injected current on all other FT and FTf pins	-5	NA	
	Injected current on PB0 and PB1 pins	-5	NA	
	Injected current on PC0 pin	-0	+5	
	Injected current on all other TTa, TC and RST pins	-5	+5	

6.3.14 I/O port characteristics

General input/output characteristics

Unless otherwise specified, the parameters given in [Table 46](#) are derived from tests performed under the conditions summarized in [Table 21: General operating conditions](#). All I/Os are designed as CMOS- and TTL-compliant (except BOOT0).

Electrical characteristics

STM32F030x4/6/8/C

Table 46. I/O static characteristics

Symbol	Parameter	Conditions	Min	Typ	Max	Unit
V _{IL}	Low level input voltage	TC and TTa I/O	-	-	0.3 V _{DDIOx} +0.07 ⁽¹⁾	V
		FT and FTf I/O	-	-	0.475 V _{DDIOx} -0.2 ⁽¹⁾	
		BOOT0	-	-	0.3 V _{DDIOx} -0.3 ⁽¹⁾	
		All I/Os except BOOT0 pin	-	-	0.3 V _{DDIOx}	
V _{IH}	High level input voltage	TC and TTa I/O	0.445 V _{DDIOx} +0.398 ⁽¹⁾	-	-	V
		FT and FTf I/O	0.5 V _{DDIOx} +0.2 ⁽¹⁾	-	-	
		BOOT0	0.2 V _{DDIOx} +0.95 ⁽¹⁾	-	-	
		All I/Os except BOOT0 pin	0.7 V _{DDIOx}	-	-	
V _{hys}	Schmitt trigger hysteresis	TC and TTa I/O	-	200 ⁽¹⁾	-	mV
		FT and FTf I/O	-	100 ⁽¹⁾	-	
		BOOT0	-	300 ⁽¹⁾	-	
I _{lkg}	Input leakage current ⁽²⁾	TC, FT and FTf I/O TTa in digital mode V _{SS} ≤ V _{IN} ≤ V _{DDIOx}	-	-	± 0.1	µA
		TTa in digital mode V _{DDIOx} ≤ V _{IN} ≤ V _{DDA}	-	-	1	
		TTa in analog mode V _{SS} ≤ V _{IN} ≤ V _{DDA}	-	-	± 0.2	
		FT and FTf I/O ⁽³⁾ V _{DDIOx} ≤ V _{IN} ≤ 5 V	-	-	10	
R _{PU}	Weak pull-up equivalent resistor ⁽⁴⁾	V _{IN} = V _{SS}	25	40	55	kΩ
R _{PD}	Weak pull-down equivalent resistor ⁽⁴⁾	V _{IN} = V _{DDIOx}	25	40	55	kΩ
C _{IO}	I/O pin capacitance		-	5	-	pF

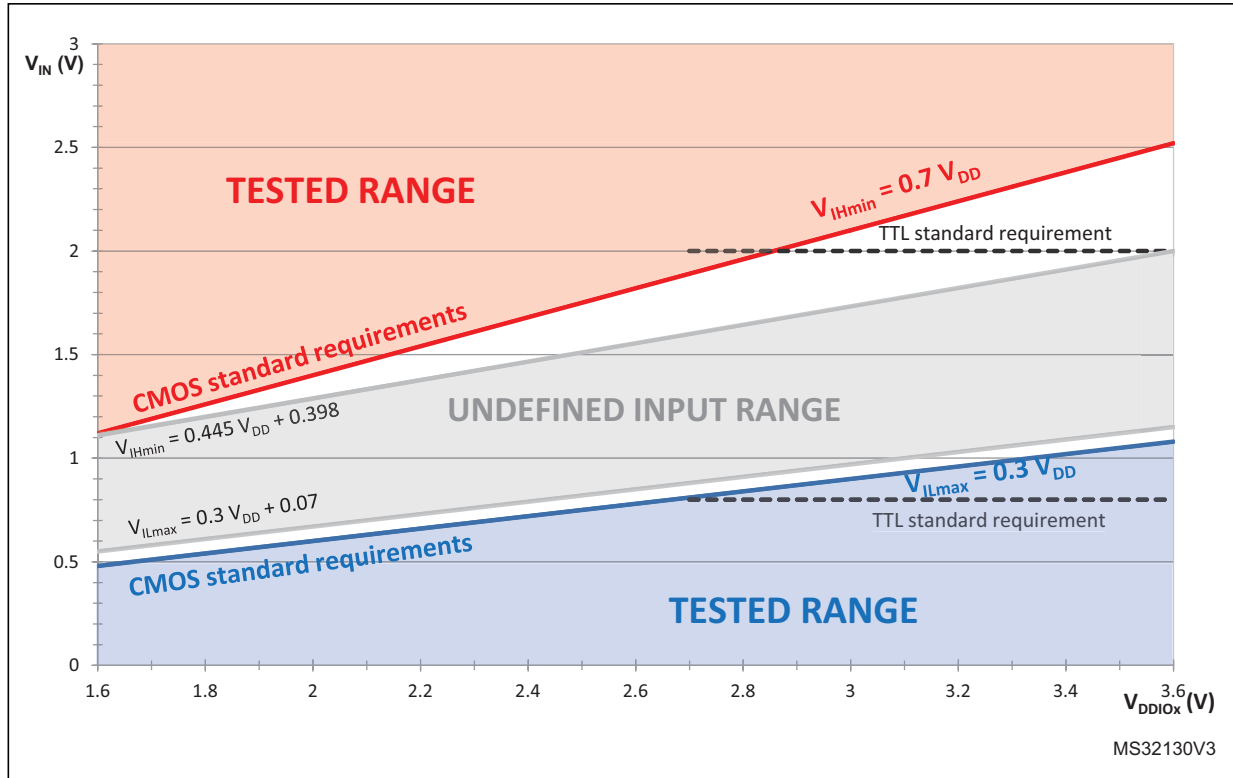
1. Data based on design simulation only. Not tested in production.
2. The leakage could be higher than the maximum value, if negative current is injected on adjacent pins. Refer to [Table 45: I/O current injection susceptibility](#).
3. To sustain a voltage higher than V_{DDIOx} + 0.3 V, the internal pull-up/pull-down resistors must be disabled.
4. Pull-up and pull-down resistors are designed with a true resistance in series with a switchable PMOS/NMOS. This PMOS/NMOS contribution to the series resistance is minimal (~10% order).

STM32F030x4/6/8/C

Electrical characteristics

All I/Os are CMOS- and TTL-compliant (no software configuration required). Their characteristics cover more than the strict CMOS-technology or TTL parameters. The coverage of these requirements is shown in *Figure 18* for standard I/Os, and in *Figure 19* for 5 V tolerant I/Os. The following curves are design simulation results, not tested in production.

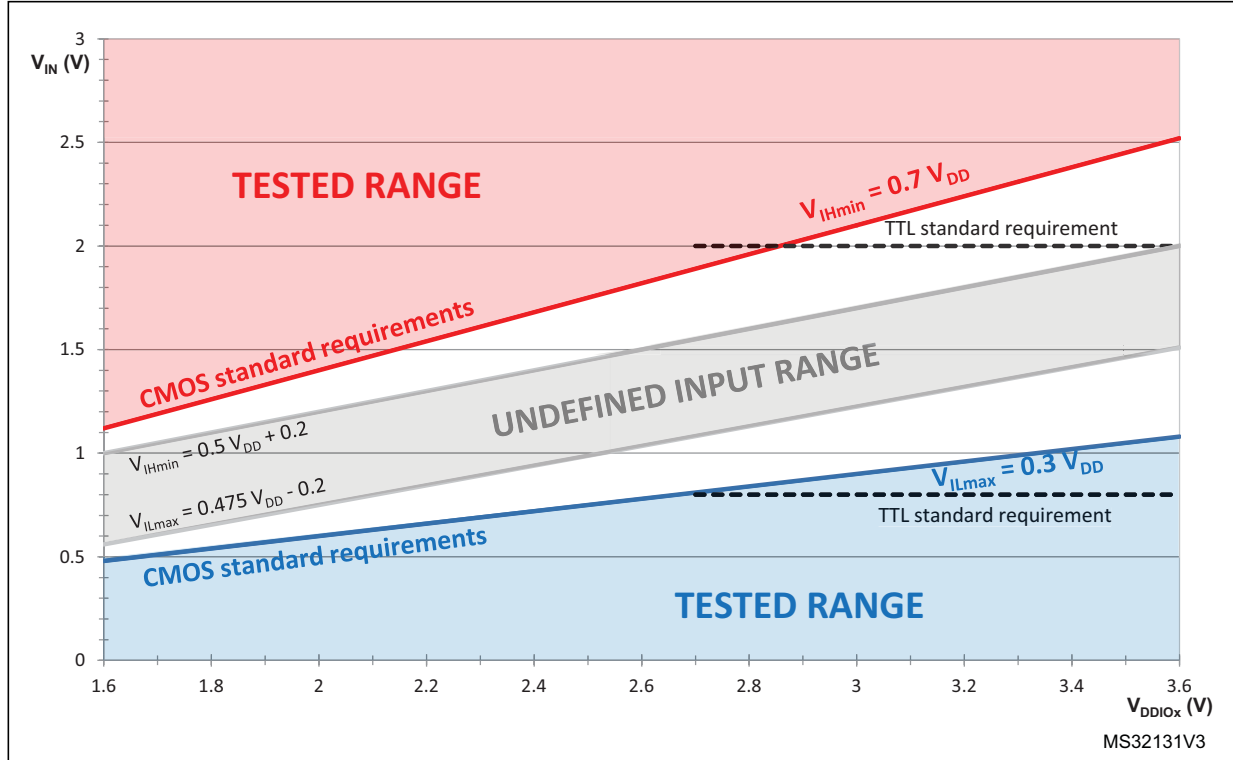
Figure 18. TC and TTa I/O input characteristics



Electrical characteristics

STM32F030x4/6/8/C

Figure 19. Five volt tolerant (FT and FTf) I/O input characteristics



STM32F030x4/6/8/C

Electrical characteristics

Output driving current

The GPIOs (general purpose input/outputs) can sink or source up to +/-8 mA, and sink or source up to +/- 20 mA (with a relaxed V_{OL}/V_{OH}).

In the user application, the number of I/O pins which can drive current must be limited to respect the absolute maximum rating specified in [Section 6.2](#):

- The sum of the currents sourced by all the I/Os on V_{DDIOx} , plus the maximum consumption of the MCU sourced on V_{DD} , cannot exceed the absolute maximum rating ΣI_{VDD} (see [Table 18: Voltage characteristics](#)).
- The sum of the currents sunk by all the I/Os on V_{SS} , plus the maximum consumption of the MCU sunk on V_{SS} , cannot exceed the absolute maximum rating ΣI_{VSS} (see [Table 18: Voltage characteristics](#)).

Output voltage levels

Unless otherwise specified, the parameters given in the table below are derived from tests performed under the ambient temperature and supply voltage conditions summarized in [Table 21: General operating conditions](#). All I/Os are CMOS- and TTL-compliant (FT, TTa or TC unless otherwise specified).

Table 47. Output voltage characteristics⁽¹⁾

Symbol	Parameter	Conditions	Min	Max	Unit
V_{OL}	Output low level voltage for an I/O pin	$ I_{IO} = 8 \text{ mA}$ $V_{DDIOx} \geq 2.7 \text{ V}$	-	0.4	V
V_{OH}	Output high level voltage for an I/O pin		$V_{DDIOx}-0.4$	-	
$V_{OL}^{(2)}$	Output low level voltage for an I/O pin	$ I_{IO} = 20 \text{ mA}$ $V_{DDIOx} \geq 2.7 \text{ V}$	-	1.3	V
$V_{OH}^{(2)}$	Output high level voltage for an I/O pin		$V_{DDIOx}-1.3$	-	
$V_{OL}^{(2)}$	Output low level voltage for an I/O pin	$ I_{IO} = 6 \text{ mA}$	-	0.4	V
$V_{OH}^{(2)}$	Output high level voltage for an I/O pin		$V_{DDIOx}-0.4$	-	
$V_{OLFm+}^{(2)}$	Output low level voltage for an FTf I/O pin in Fm+ mode	$ I_{IO} = 20 \text{ mA}$ $V_{DDIOx} \geq 2.7 \text{ V}$	-	0.4	V
		$ I_{IO} = 10 \text{ mA}$	-	0.4	V

1. The I_{IO} current sourced or sunk by the device must always respect the absolute maximum rating specified in [Table 18: Voltage characteristics](#), and the sum of the currents sourced or sunk by all the I/Os (I/O ports and control pins) must always respect the absolute maximum ratings ΣI_{IO} .
2. Data based on characterization results. Not tested in production.

Input/output AC characteristics

The definition and values of input/output AC characteristics are given in [Figure 20](#) and [Table 48](#), respectively.

Unless otherwise specified, the parameters given are derived from tests performed under the ambient temperature and supply voltage conditions summarized in [Table 21: General operating conditions](#).

Electrical characteristics

STM32F030x4/6/8/C

Table 48. I/O AC characteristics⁽¹⁾⁽²⁾

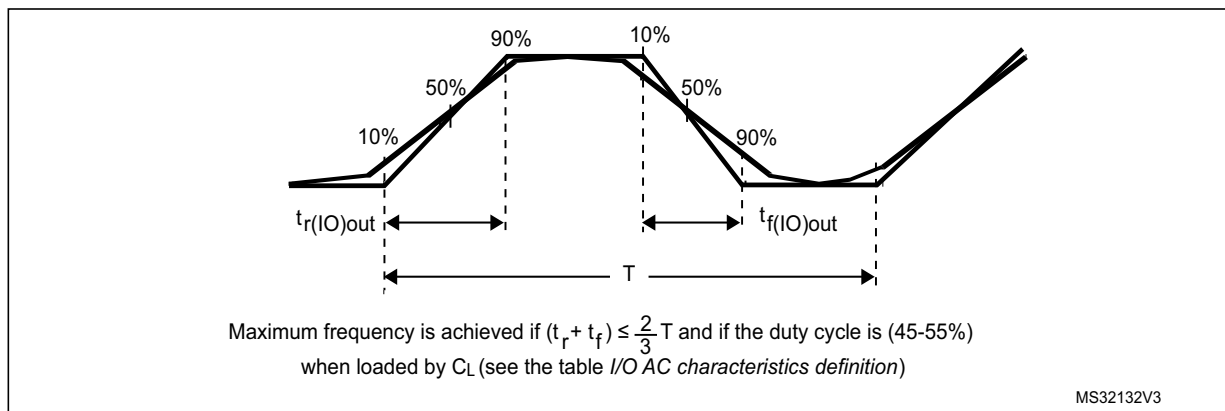
OSPEEDRy [1:0] value ⁽¹⁾	Symbol	Parameter	Conditions	Min	Max	Unit
x0	$f_{\max(\text{IO})\text{out}}$	Maximum frequency ⁽³⁾	$C_L = 50 \text{ pF}, V_{\text{DDIOx}} \geq 2.4 \text{ V}$	-	2	MHz
	$t_{f(\text{IO})\text{out}}$	Output fall time		-	125	ns
	$t_{r(\text{IO})\text{out}}$	Output rise time		-	125	
01	$f_{\max(\text{IO})\text{out}}$	Maximum frequency ⁽³⁾	$C_L = 50 \text{ pF}, V_{\text{DDIOx}} \geq 2.4 \text{ V}$	-	10	MHz
	$t_{f(\text{IO})\text{out}}$	Output fall time		-	25	ns
	$t_{r(\text{IO})\text{out}}$	Output rise time		-	25	
11	$f_{\max(\text{IO})\text{out}}$	Maximum frequency ⁽³⁾	$C_L = 30 \text{ pF}, V_{\text{DDIOx}} \geq 2.7 \text{ V}$	-	50	MHz
			$C_L = 50 \text{ pF}, V_{\text{DDIOx}} \geq 2.7 \text{ V}$	-	30	
			$C_L = 50 \text{ pF}, 2.4 \text{ V} \leq V_{\text{DDIOx}} < 2.7 \text{ V}$	-	20	
	$t_{f(\text{IO})\text{out}}$	Output fall time	$C_L = 30 \text{ pF}, V_{\text{DDIOx}} \geq 2.7 \text{ V}$	-	5	ns
			$C_L = 50 \text{ pF}, V_{\text{DDIOx}} \geq 2.7 \text{ V}$	-	8	
			$C_L = 50 \text{ pF}, 2.4 \text{ V} \leq V_{\text{DDIOx}} < 2.7 \text{ V}$	-	12	
	$t_{r(\text{IO})\text{out}}$	Output rise time	$C_L = 30 \text{ pF}, V_{\text{DDIOx}} \geq 2.7 \text{ V}$	-	5	
			$C_L = 50 \text{ pF}, V_{\text{DDIOx}} \geq 2.7 \text{ V}$	-	8	
			$C_L = 50 \text{ pF}, 2.4 \text{ V} \leq V_{\text{DDIOx}} < 2.7 \text{ V}$	-	12	
Fm+ configuration ⁽⁴⁾	$f_{\max(\text{IO})\text{out}}$	Maximum frequency ⁽³⁾	$C_L = 50 \text{ pF}, V_{\text{DDIOx}} \geq 2.4 \text{ V}$	-	2	MHz
	$t_{f(\text{IO})\text{out}}$	Output fall time		-	12	ns
	$t_{r(\text{IO})\text{out}}$	Output rise time		-	34	
	$t_{\text{EXTI}pw}$	Pulse width of external signals detected by the EXTI controller		10	-	ns

1. The I/O speed is configured using the OSPEEDRx[1:0] bits. Refer to the STM32F0xxx RM0360 reference manual for a description of GPIO Port configuration register.
2. Guaranteed by design, not tested in production.
3. The maximum frequency is defined in [Figure 20](#).
4. When Fm+ configuration is set, the I/O speed control is bypassed. Refer to the STM32F0xxx reference manual RM0360 for a detailed description of Fm+ I/O configuration.

STM32F030x4/6/8/C

Electrical characteristics

Figure 20. I/O AC characteristics definition



6.3.15 NRST pin characteristics

The NRST pin input driver uses the CMOS technology. It is connected to a permanent pull-up resistor, R_{PU} .

Unless otherwise specified, the parameters given in the table below are derived from tests performed under the ambient temperature and supply voltage conditions summarized in [Table 21: General operating conditions](#).

Table 49. NRST pin characteristics

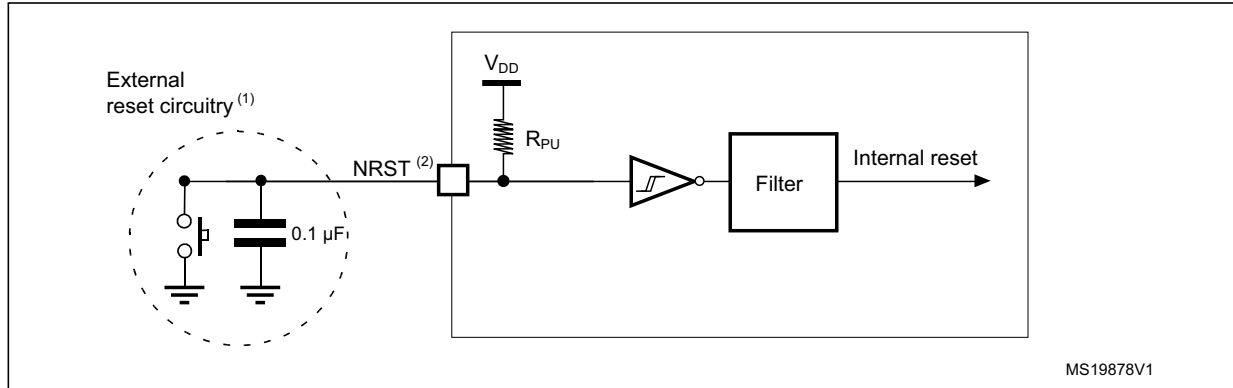
Symbol	Parameter	Conditions	Min	Typ	Max	Unit
$V_{IL(NRST)}$	NRST input low level voltage	-	-	-	$0.3 V_{DD} + 0.07^{(1)}$	V
$V_{IH(NRST)}$	NRST input high level voltage	-	$0.445 V_{DD} + 0.398^{(1)}$	-	-	
$V_{hys(NRST)}$	NRST Schmitt trigger voltage hysteresis	-	-	200	-	mV
R_{PU}	Weak pull-up equivalent resistor ⁽²⁾	$V_{IN} = V_{SS}$	25	40	55	kΩ
$V_{F(NRST)}$	NRST input filtered pulse		-	-	$100^{(1)}$	ns
$V_{NF(NRST)}$	NRST input not filtered pulse	$2.7 < V_{DD} < 3.6$	$300^{(3)}$	-	-	ns
		$2.4 < V_{DD} < 3.6$	$500^{(3)}$	-	-	

1. Data based on design simulation only. Not tested in production.
2. The pull-up is designed with a true resistance in series with a switchable PMOS. This PMOS contribution to the series resistance is minimal (~10% order).
3. Data based on design simulation only. Not tested in production.

Electrical characteristics

STM32F030x4/6/8/C

Figure 21. Recommended NRST pin protection



1. The external capacitor protects the device against parasitic resets.
2. The user must ensure that the level on the NRST pin can go below the $V_{IL(NRST)}$ max level specified in [Table 49: NRST pin characteristics](#). Otherwise the reset will not be taken into account by the device.

STM32F030x4/6/8/C

Electrical characteristics

6.3.16 12-bit ADC characteristics

Unless otherwise specified, the parameters given in *Table 50* are preliminary values derived from tests performed under ambient temperature, f_{PCLK} frequency and V_{DDA} supply voltage conditions summarized in *Table 21: General operating conditions*.

Note: It is recommended to perform a calibration after each power-up.

Table 50. ADC characteristics

Symbol	Parameter	Conditions	Min	Typ	Max	Unit
V_{DDA}	Analog supply voltage for ADC ON	-	2.4	-	3.6	V
$I_{DDA(ADC)}$	Current consumption of the ADC ⁽¹⁾	$V_{DD} = V_{DDA} = 3.3\text{ V}$	-	0.9	-	mA
f_{ADC}	ADC clock frequency	-	0.6	-	14	MHz
$f_S^{(2)}$	Sampling rate	-	0.05	-	1	MHz
$f_{TRIG}^{(2)}$	External trigger frequency	$f_{ADC} = 14\text{ MHz}$	-	-	823	kHz
		-	-	-	17	$1/f_{ADC}$
V_{AIN}	Conversion voltage range	-	0	-	V_{DDA}	V
$R_{AIN}^{(2)}$	External input impedance	See <i>Equation 1</i> and <i>Table 51</i> for details	-	-	50	k Ω
$R_{ADC}^{(2)}$	Sampling switch resistance	-	-	-	1	k Ω
$C_{ADC}^{(2)}$	Internal sample and hold capacitor	-	-	-	8	pF
$t_{CAL}^{(2)}$	Calibration time	$f_{ADC} = 14\text{ MHz}$	5.9			μs
		-	83			$1/f_{ADC}$
$W_{LATENCY}^{(2)}$	ADC_DR register write latency	ADC clock = HSI14	1.5 ADC cycles + 2 f_{PCLK} cycles	-	1.5 ADC cycles + 3 f_{PCLK} cycles	
		ADC clock = PCLK/2	-	4.5	-	f_{PCLK} cycle
		ADC clock = PCLK/4	-	8.5	-	f_{PCLK} cycle
$t_{latr}^{(2)}$	Trigger conversion latency	$f_{ADC} = f_{PCLK}/2 = 14\text{ MHz}$	0.196			μs
		$f_{ADC} = f_{PCLK}/2$	5.5			$1/f_{PCLK}$
		$f_{ADC} = f_{PCLK}/4 = 12\text{ MHz}$	0.219			μs
		$f_{ADC} = f_{PCLK}/4$	10.5			$1/f_{PCLK}$
		$f_{ADC} = f_{HSI14} = 14\text{ MHz}$	0.188	-	0.259	μs
Jitter _{ADC}	ADC jitter on trigger conversion	$f_{ADC} = f_{HSI14}$	-	1	-	$1/f_{HSI14}$
$t_S^{(2)}$	Sampling time	$f_{ADC} = 14\text{ MHz}$	0.107	-	17.1	μs
		-	1.5	-	239.5	$1/f_{ADC}$

Electrical characteristics

STM32F030x4/6/8/C

Table 50. ADC characteristics (continued)

Symbol	Parameter	Conditions	Min	Typ	Max	Unit
t _{STAB} ⁽²⁾	Power-up time		0	0	1	µs
t _{CONV} ⁽²⁾	Total conversion time (including sampling time)	f _{ADC} = 14 MHz	1	-	18	µs
			14 to 252 (t _S for sampling +12.5 for successive approximation)			1/f _{ADC}

1. During conversion of the sampled value (12.5 x ADC clock period), an additional consumption of 100 µA on I_{DDA} and 60 µA on I_{DD} should be taken into account.
2. Guaranteed by design, not tested in production.

Equation 1: R_{AIN} max formula

$$R_{AIN} < \frac{T_S}{f_{ADC} \times C_{ADC} \times \ln(2^{N+2})} - R_{ADC}$$

The formula above (Equation 1) is used to determine the maximum external impedance allowed for an error below 1/4 of LSB. Here N = 12 (from 12-bit resolution).

Table 51. R_{AIN} max for f_{ADC} = 14 MHz

T _S (cycles)	t _S (µs)	R _{AIN} max (kΩ) ⁽¹⁾
1.5	0.11	0.4
7.5	0.54	5.9
13.5	0.96	11.4
28.5	2.04	25.2
41.5	2.96	37.2
55.5	3.96	50
71.5	5.11	NA
239.5	17.1	NA

1. Guaranteed by design, not tested in production.

Table 52. ADC accuracy⁽¹⁾⁽²⁾⁽³⁾

Symbol	Parameter	Test conditions	Typ	Max ⁽⁴⁾	Unit
ET	Total unadjusted error	f _{PCLK} = 48 MHz, f _{ADC} = 14 MHz, R _{AIN} < 10 kΩ V _{DDA} = 2.7 V to 3.6 V T _A = -40 to 85 °C	±3.3	±4	LSB
EO	Offset error		±1.9	±2.8	
EG	Gain error		±2.8	±3	
ED	Differential linearity error		±0.7	±1.3	
EL	Integral linearity error		±1.2	±1.7	

1. ADC DC accuracy values are measured after internal calibration.
2. ADC Accuracy vs. Negative Injection Current: Injecting negative current on any of the standard (non-robust) analog input pins should be avoided as this significantly reduces the accuracy of the conversion being performed on another analog input. It is recommended to add a Schottky diode (pin to ground) to standard analog pins which may potentially inject negative current. Any positive injection current within the limits specified for I_{INJ(PIN)} and ΣI_{INJ(PIN)} in Section 6.3.14 does not affect the ADC accuracy.

STM32F030x4/6/8/C

Electrical characteristics

- 3. Better performance may be achieved in restricted V_{DDA} , frequency and temperature ranges.
- 4. Data based on characterization results, not tested in production.

Figure 22. ADC accuracy characteristics

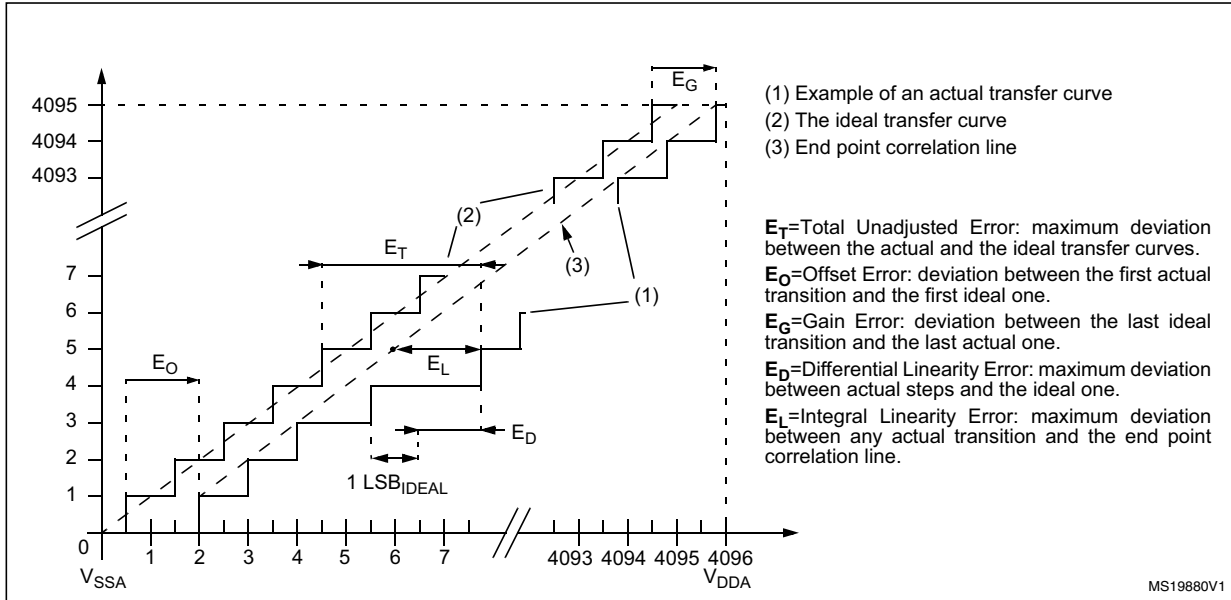
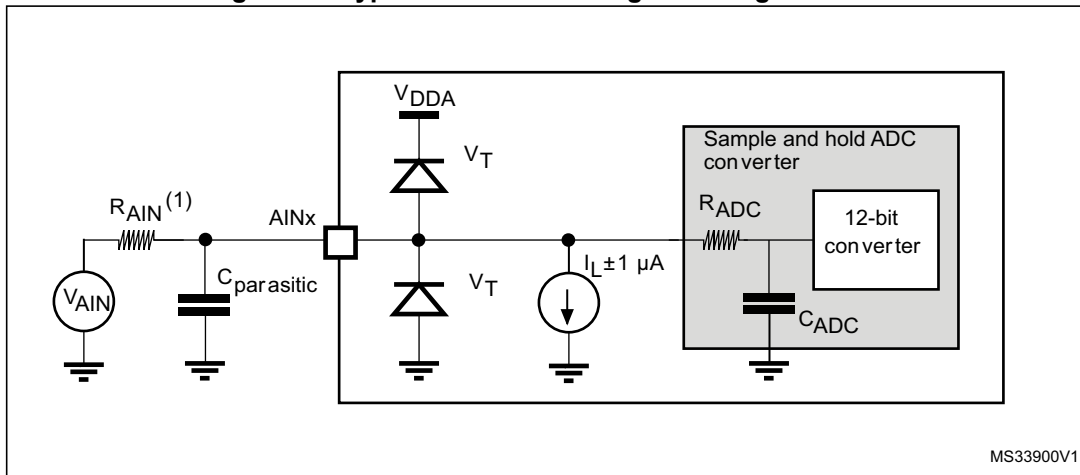


Figure 23. Typical connection diagram using the ADC



- 1. Refer to [Table 50: ADC characteristics](#) for the values of R_{AIN} , R_{ADC} and C_{ADC} .
- 2. $C_{parasitic}$ represents the capacitance of the PCB (dependent on soldering and PCB layout quality) plus the pad capacitance (roughly 7 pF). A high $C_{parasitic}$ value will downgrade conversion accuracy. To remedy this, f_{ADC} should be reduced.

Electrical characteristics

STM32F030x4/6/8/C

General PCB design guidelines

Power supply decoupling should be performed as shown in *Figure 12: Power supply scheme*. The 10 nF capacitor should be ceramic (good quality) and it should be placed as close as possible to the chip.

6.3.17 Temperature sensor characteristics

Table 53. TS characteristics

Symbol	Parameter	Min	Typ	Max	Unit
$T_L^{(1)}$	V_{SENSE} linearity with temperature	-	± 1	± 2	$^{\circ}C$
Avg_Slope ⁽¹⁾	Average slope	4.0	4.3	4.6	mV/ $^{\circ}C$
V_{30}	Voltage at 30 $^{\circ}C$ (± 5 $^{\circ}C$) ⁽²⁾	1.34	1.43	1.52	V
$t_{START}^{(1)}$	Startup time	4	-	10	μs
$t_{S_temp}^{(1)}$	ADC sampling time when reading the temperature	4	-	-	μs

1. Guaranteed by design, not tested in production.
2. Measured at $V_{DDA} = 3.3 V \pm 10 mV$. The V_{30} ADC conversion result is stored in the TS_CAL1 byte. Refer to *Table 3: Temperature sensor calibration values*.

6.3.18 Timer characteristics

The parameters given in the following tables are guaranteed by design.

Refer to *Section 6.3.14: I/O port characteristics* for details on the input/output alternate function characteristics (output compare, input capture, external clock, PWM output).

Table 54. TIMx characteristics

Symbol	Parameter	Conditions	Min	Max	Unit
$t_{res(TIM)}$	Timer resolution time		1	-	$t_{TIMxCLK}$
		$f_{TIMxCLK} = 48 MHz$	20.8	-	ns
f_{EXT}	Timer external clock frequency on CH1 to CH4		0	$f_{TIMxCLK}/2$	MHz
		$f_{TIMxCLK} = 48 MHz$	0	24	MHz
Res_{TIM}	Timer resolution	TIMx	-	16	bit
$t_{COUNTER}$	16-bit counter clock period		1	65536	$t_{TIMxCLK}$
		$f_{TIMxCLK} = 48 MHz$	0.0208	1365	μs
t_{MAX_COUNT}	Maximum possible count with 32-bit counter		-	65536×65536	$t_{TIMxCLK}$
		$f_{TIMxCLK} = 48 MHz$	-	89.48	s

STM32F030x4/6/8/C

Electrical characteristics

Table 55. IWDG min/max timeout period at 40 kHz (LSI)⁽¹⁾

Prescaler divider	PR[2:0] bits	Min timeout RL[11:0]= 0x000	Max timeout RL[11:0]= 0xFFFF	Unit
/4	0	0.1	409.6	ms
/8	1	0.2	819.2	
/16	2	0.4	1638.4	
/32	3	0.8	3276.8	
/64	4	1.6	6553.6	
/128	5	3.2	13107.2	
/256	6 or 7	6.4	26214.4	

1. These timings are given for a 40 kHz clock but the microcontroller internal RC frequency can vary from 30 to 60 kHz. Moreover, given an exact RC oscillator frequency, the exact timings still depend on the phasing of the APB interface clock versus the LSI clock so that there is always a full RC period of uncertainty.

Table 56. WWDG min/max timeout value at 48 MHz (PCLK)

Prescaler	WDGTB	Min timeout value	Max timeout value	Unit
1	0	0.0853	5.4613	ms
2	1	0.1706	10.9226	
4	2	0.3413	21.8453	
8	3	0.6826	43.6906	

6.3.19 Communication interfaces

I²C interface characteristics

The I2C interface meets the timings requirements of the I²C-bus specification and user manual rev. 03 for:

- Standard-mode (Sm): with a bit rate up to 100 kbit/s
- Fast-mode (Fm): with a bit rate up to 400 kbit/s
- Fast-mode Plus (Fm+): with a bit rate up to 1 Mbit/s.

The I2C timings requirements are guaranteed by design when the I2C peripheral is properly configured (refer to Reference manual).

The SDA and SCL I/O requirements are met with the following restrictions: the SDA and SCL I/O pins are not “true” open-drain. When configured as open-drain, the PMOS connected between the I/O pin and V_{DDIOx} is disabled, but is still present. Only FTf I/O pins support Fm+ low level output current maximum requirement. Refer to [Section 6.3.14: I/O port characteristics](#) for the I2C I/Os characteristics.

All I2C SDA and SCL I/Os embed an analog filter. Refer to the table below for the analog filter characteristics:

Electrical characteristics

STM32F030x4/6/8/C

Table 57. I2C analog filter characteristics⁽¹⁾

Symbol	Parameter	Min	Max	Unit
t_{AF}	Maximum pulse width of spikes that are suppressed by the analog filter	50 ⁽²⁾	260 ⁽³⁾	ns

1. Guaranteed by design, not tested in production.
2. Spikes with widths below $t_{AF(min)}$ are filtered.
3. Spikes with widths above $t_{AF(max)}$ are not filtered

SPI characteristics

Unless otherwise specified, the parameters given in [Table 58](#) for SPI are derived from tests performed under the ambient temperature, f_{PCLKx} frequency and supply voltage conditions summarized in [Table 21: General operating conditions](#).

Refer to [Section 6.3.14: I/O port characteristics](#) for more details on the input/output alternate function characteristics.

Table 58. SPI characteristics⁽¹⁾

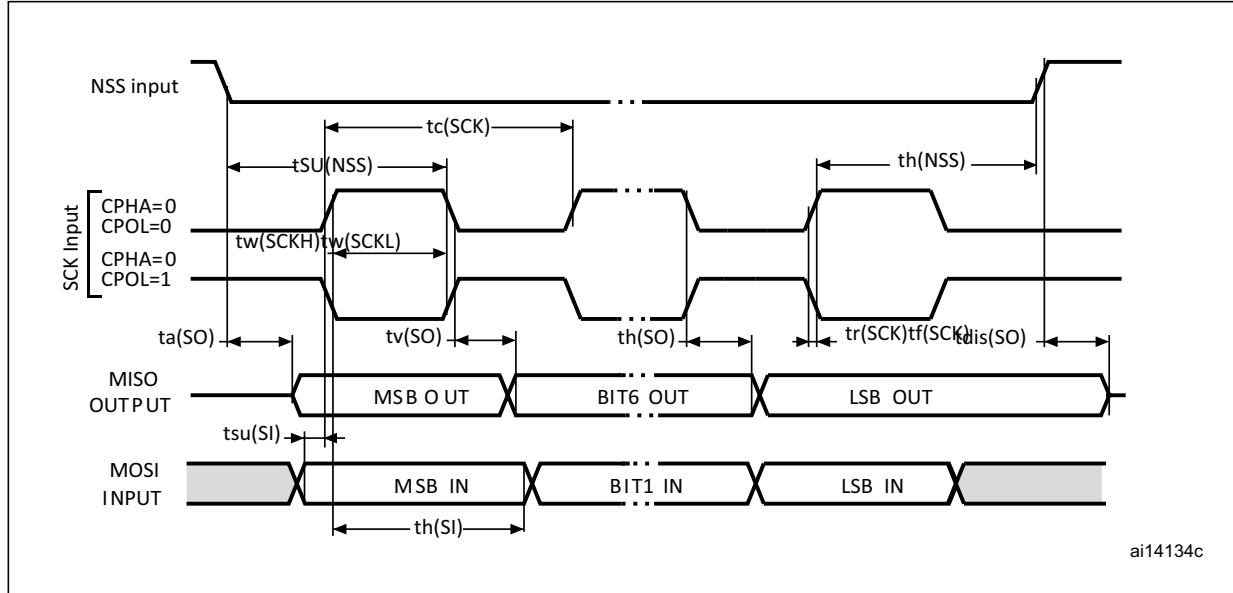
Symbol	Parameter	Conditions	Min	Max	Unit	
f_{SCK} 1/ $t_{c(SCK)}$	SPI clock frequency	Master mode	-	18	MHz	
		Slave mode	-	18		
$t_{r(SCK)}$ $t_{f(SCK)}$	SPI clock rise and fall time	Capacitive load: C = 15 pF	-	6	ns	
$t_{su(NSS)}$	NSS setup time	Slave mode	4Tpclk	-	ns	
$t_{h(NSS)}$	NSS hold time	Slave mode	2Tpclk + 10	-		
$t_{w(SCKH)}$ $t_{w(SCKL)}$	SCK high and low time	Master mode, $f_{PCLK} = 36$ MHz, presc = 4	Tpclk/2 - 2	Tpclk/2 + 1		
$t_{su(MI)}$ $t_{su(SI)}$	Data input setup time	Master mode	4	-		
		Slave mode	5	-		
$t_{h(MI)}$ $t_{h(SI)}$	Data input hold time	Master mode	4	-		
		Slave mode	5	-		
$t_{a(SO)}$ ⁽²⁾	Data output access time	Slave mode, $f_{PCLK} = 20$ MHz	0	3Tpclk		
$t_{dis(SO)}$ ⁽³⁾	Data output disable time	Slave mode	0	18		
$t_{v(SO)}$	Data output valid time	Slave mode (after enable edge)	-	22.5		
$t_{v(MO)}$	Data output valid time	Master mode (after enable edge)	-	6		
$t_{h(SO)}$ $t_{h(MO)}$	Data output hold time	Slave mode (after enable edge)	11.5	-		
		Master mode (after enable edge)	2	-		
DuCy(SCK)	SPI slave input clock duty cycle	Slave mode	25	75		%

1. Data based on characterization results, not tested in production.
2. Min time is for the minimum time to drive the output and the max time is for the maximum time to validate the data.
3. Min time is for the minimum time to invalidate the output and the max time is for the maximum time to put the data in Hi-Z

STM32F030x4/6/8/C

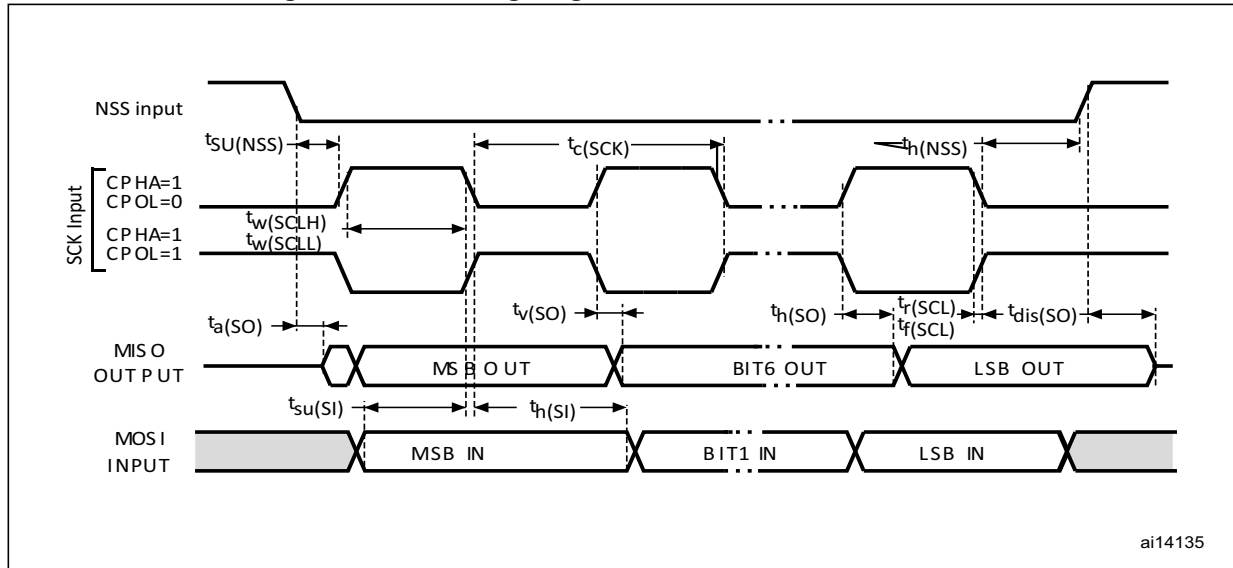
Electrical characteristics

Figure 24. SPI timing diagram - slave mode and CPHA = 0



ai14134c

Figure 25. SPI timing diagram - slave mode and CPHA = 1



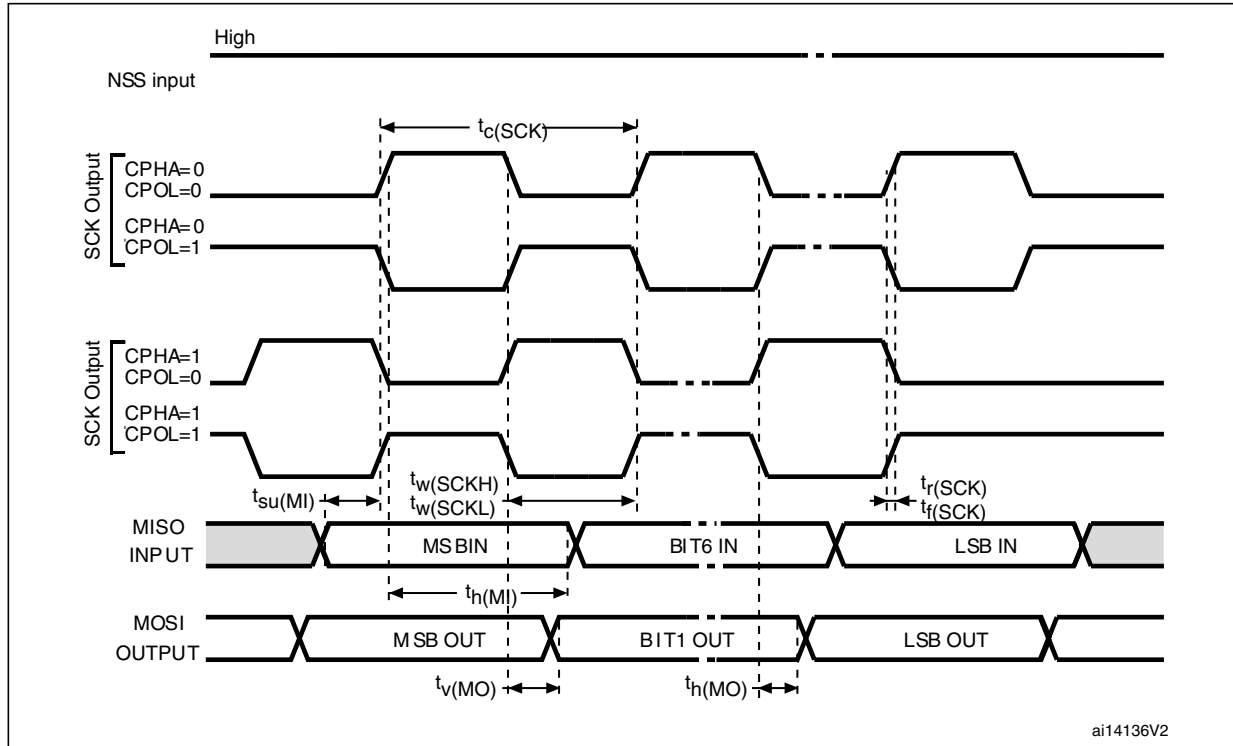
ai14135

1. Measurement points are done at CMOS levels: 0.3 V_{DD} and 0.7 V_{DD}.

Electrical characteristics

STM32F030x4/6/8/C

Figure 26. SPI timing diagram - master mode



1. Measurement points are done at CMOS levels: $0.3 V_{DD}$ and $0.7 V_{DD}$.

7 Package characteristics

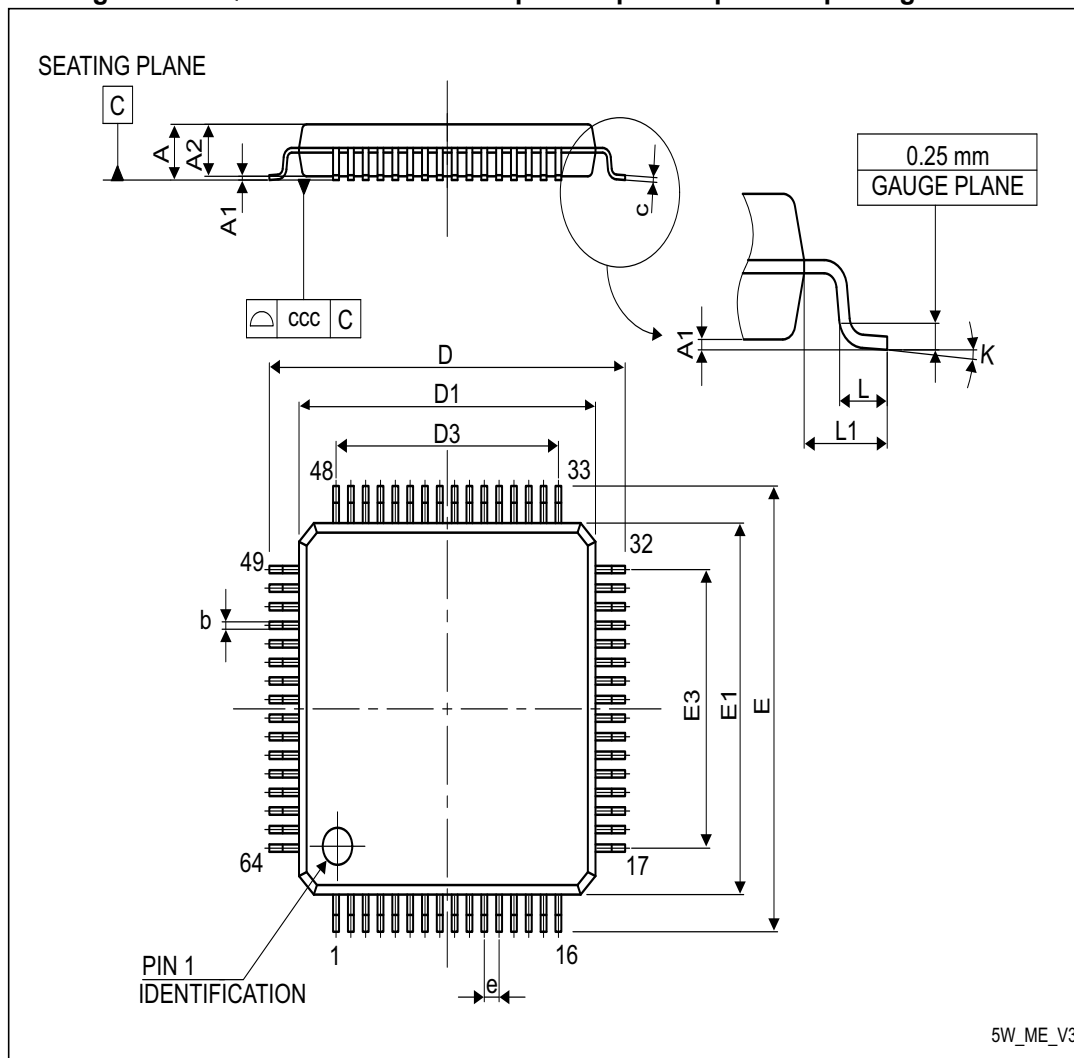
7.1 Package mechanical data

In order to meet environmental requirements, ST offers these devices in different grades of ECOPACK[®] packages, depending on their level of environmental compliance. ECOPACK[®] specifications, grade definitions and product status are available at: www.st.com. ECOPACK[®] is an ST trademark.

Package characteristics

STM32F030x4/6/8/C

Figure 27. LQFP64 - 10 x 10 mm 64 pin low-profile quad flat package outline



1. Drawing is not to scale.

Table 59. LQFP64 - 10 x 10 mm low-profile quad flat package mechanical data

Symbol	millimeters			inches ⁽¹⁾		
	Min	Typ	Max	Min	Typ	Max
A	-	-	1.600	-	-	0.0630
A1	0.050	-	0.150	0.0020	-	0.0059
A2	1.350	1.400	1.450	0.0531	0.0551	0.0571
b	0.170	0.220	0.270	0.0067	0.0087	0.0106
c	0.090	-	0.200	0.0035	-	0.0079
D	11.800	12.000	12.200	0.4646	0.4724	0.4803
D1	9.800	10.000	10.200	0.3858	0.3937	0.4016

STM32F030x4/6/8/C

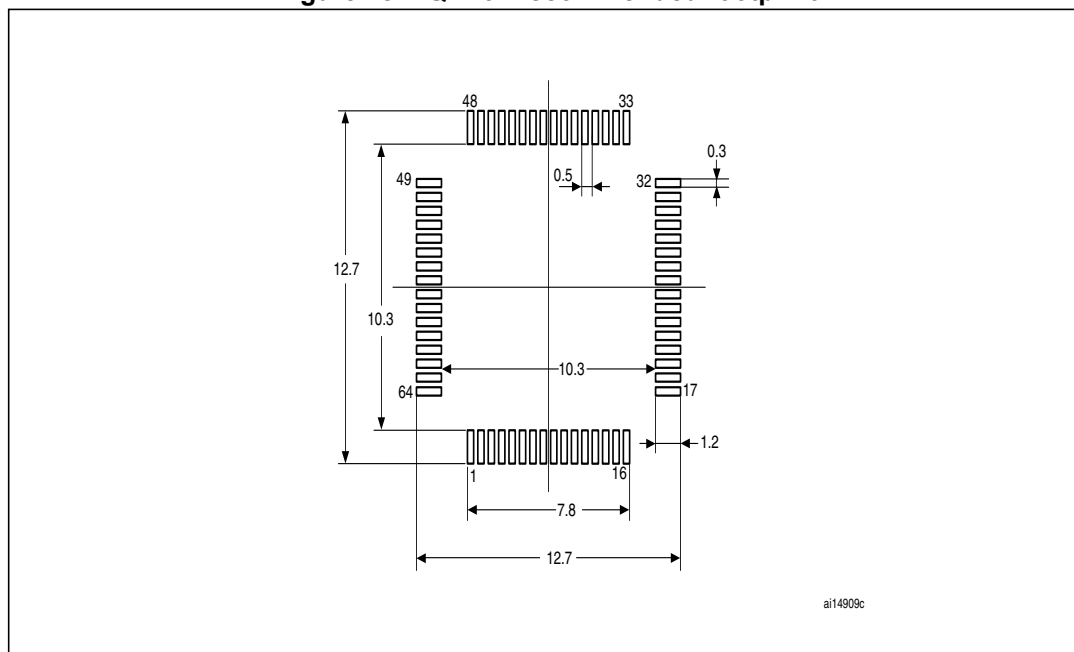
Package characteristics

Table 59. LQFP64 - 10 x 10 mm low-profile quad flat package mechanical data (continued)

Symbol	millimeters			inches ⁽¹⁾		
	Min	Typ	Max	Min	Typ	Max
D3	-	7.500	-	-	0.2953	-
E	11.800	12.000	12.200	0.4646	0.4724	0.4803
E1	9.800	10.000	10.200	0.3858	0.3937	0.4016
E3	-	7.500	-	-	0.2953	-
e	-	0.500	-	-	0.0197	-
L	0.450	0.600	0.750	0.0177	0.0236	0.0295
L1	-	1.000	-	-	0.0394	-
ccc	-	-	0.080	-	-	0.0031
K	0°	3.5°	7°	0°	3.5°	7°

1. Values in inches are converted from mm and rounded to 4 decimal digits.

Figure 28. LQFP64 recommended footprint



1. Dimensions are in millimeters.

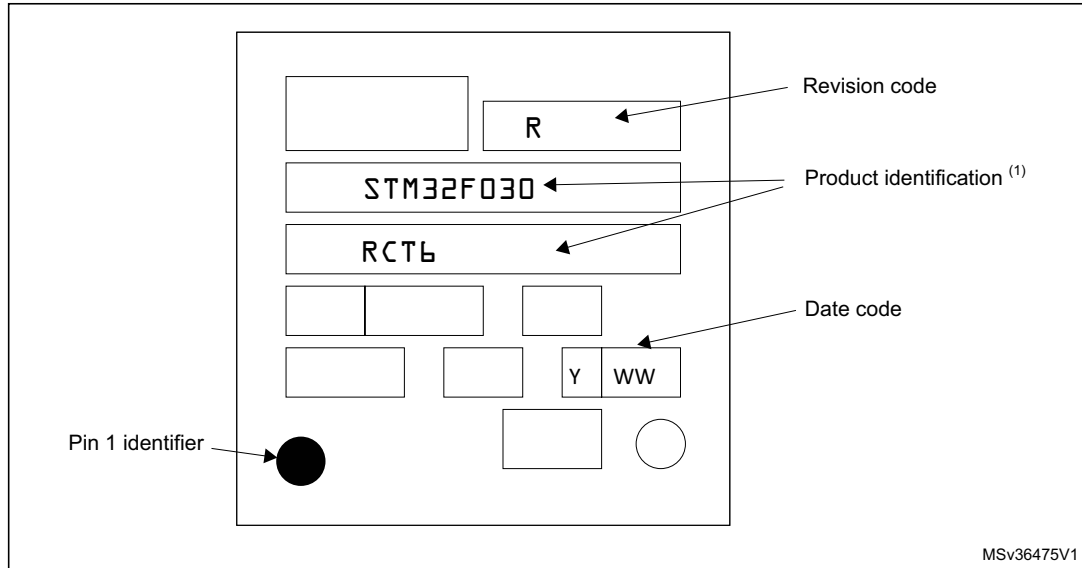
Package characteristics

STM32F030x4/6/8/C

Device marking for LQFP64

The following figure shows the device marking for the LQFP64 package.

Figure 29. LQFP64 marking example (package top view)

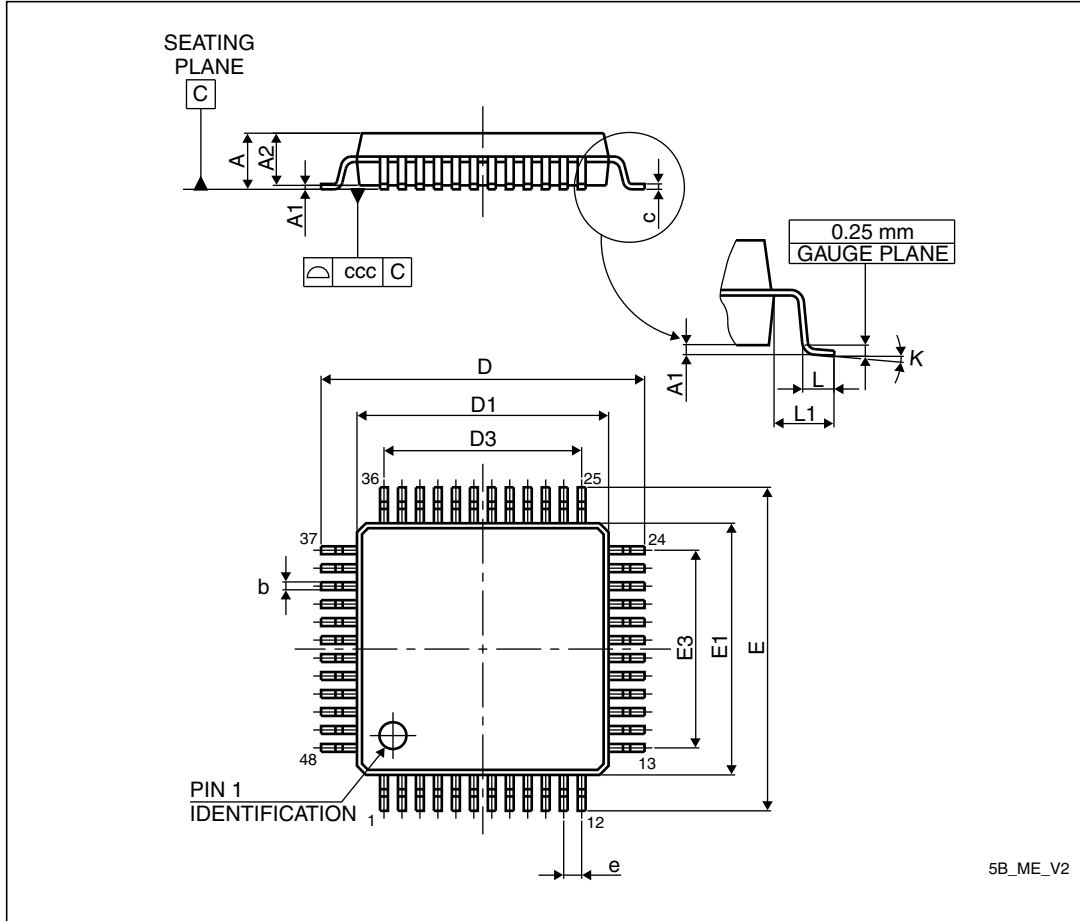


1. Parts marked as "ES", "E" or accompanied by an Engineering Sample notification letter, are not yet qualified and therefore not yet ready to be used in production and any consequences deriving from such usage will not be at ST charge. In no event, ST will be liable for any customer usage of these engineering samples in production. ST Quality has to be contacted prior to any decision to use these Engineering samples to run qualification activity.

STM32F030x4/6/8/C

Package characteristics

Figure 30. LQFP48 - 7 mm x 7 mm, 48 pin low-profile quad flat package outline



1. Drawing is not to scale.

Table 60. LQFP48 - 7 mm x 7 mm low-profile quad flat package mechanical data

Symbol	millimeters			inches ⁽¹⁾		
	Min	Typ	Max	Min	Typ	Max
A		-	1.600	-	-	0.0630
A1	0.050	-	0.150	0.0020	-	0.0059
A2	1.350	1.400	1.450	0.0531	0.0551	0.0571
b	0.170	0.220	0.270	0.0067	0.0087	0.0106
c	0.090	-	0.200	0.0035	-	0.0079
D	8.800	9.000	9.200	0.3465	0.3543	0.3622
D1	6.800	7.000	7.200	0.2677	0.2756	0.2835
D3	-	5.500	-	-	0.2165	-
E	8.800	9.000	9.200	0.3465	0.3543	0.3622
E1	6.800	7.000	7.200	0.2677	0.2756	0.2835

Package characteristics

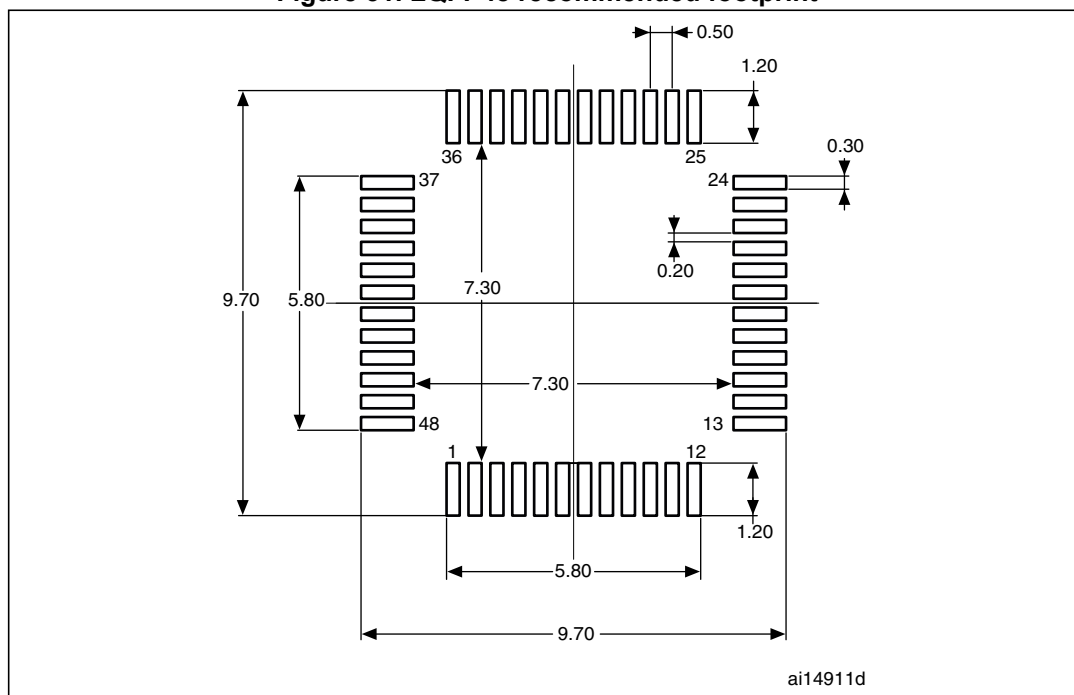
STM32F030x4/6/8/C

Table 60. LQFP48 - 7 mm x 7 mm low-profile quad flat package mechanical data (continued)

Symbol	millimeters			inches ⁽¹⁾		
	Min	Typ	Max	Min	Typ	Max
E3	-	5.500	-	-	0.2165	-
e	-	0.500	-	-	0.0197	-
L	0.450	0.600	0.750	0.0177	0.0236	0.0295
L1	-	1.000	-	-	0.0394	-
ccc	-	-	0.080	-	-	0.0031
K	0°	3.5°	7°	0°	3.5°	7°

1. Values in inches are converted from mm and rounded to 4 decimal digits.

Figure 31. LQFP48 recommended footprint



1. Dimensions are in millimeters.

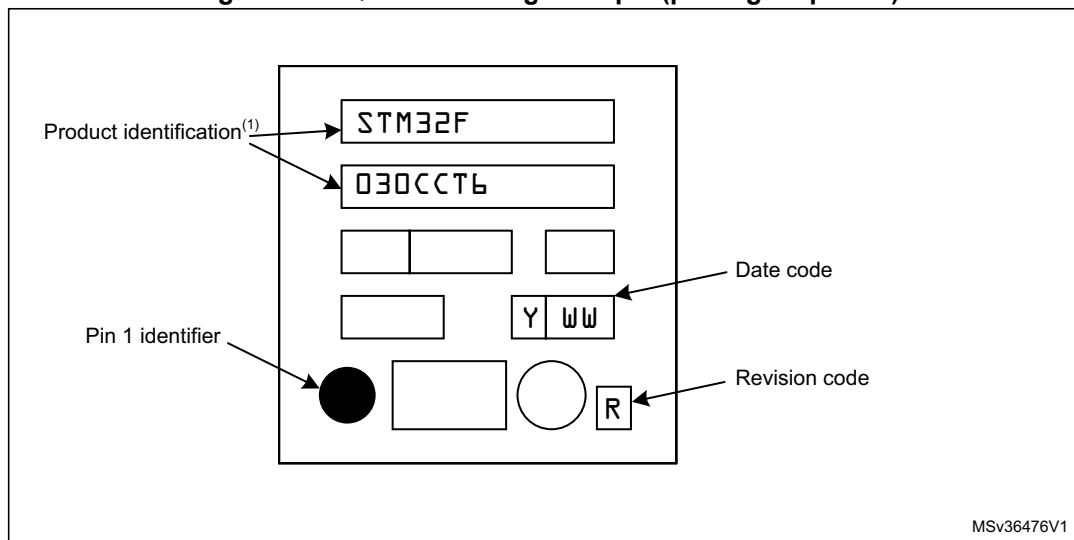
STM32F030x4/6/8/C

Package characteristics

Device marking for LQFP48

The following figure shows the device marking for the LQFP48 package.

Figure 32. LQFP48 marking example (package top view)

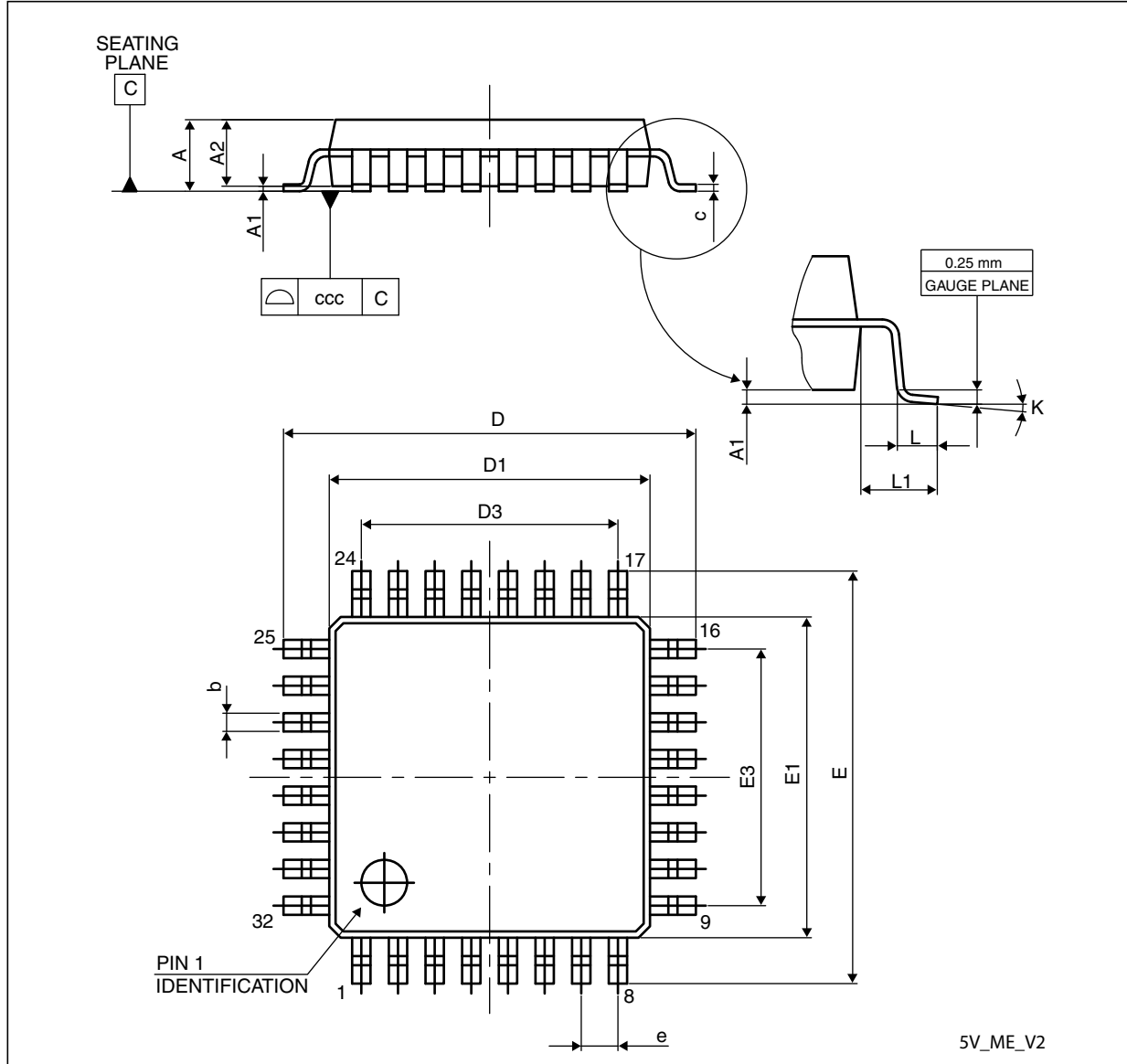


1. Parts marked as "ES", "E" or accompanied by an Engineering Sample notification letter, are not yet qualified and therefore not yet ready to be used in production and any consequences deriving from such usage will not be at ST charge. In no event, ST will be liable for any customer usage of these engineering samples in production. ST Quality has to be contacted prior to any decision to use these Engineering samples to run qualification activity.

Package characteristics

STM32F030x4/6/8/C

Figure 33. LQFP32 - 7 x 7mm 32-pin low-profile quad flat package outline



1. Drawing is not to scale.

Table 61. LQFP32 - 7 x 7mm 32-pin low-profile quad flat package mechanical data

Symbol	millimeters			inches ⁽¹⁾		
	Min	Typ	Max	Min	Typ	Max
A			1.600			0.0630
A1	0.050		0.150	0.0020		0.0059
A2	1.350	1.400	1.450	0.0531	0.0551	0.0571
b	0.300	0.370	0.450	0.0118	0.0146	0.0177
c	0.090		0.200	0.0035		0.0079
D	8.800	9.000	9.200	0.3465	0.3543	0.3622

STM32F030x4/6/8/C

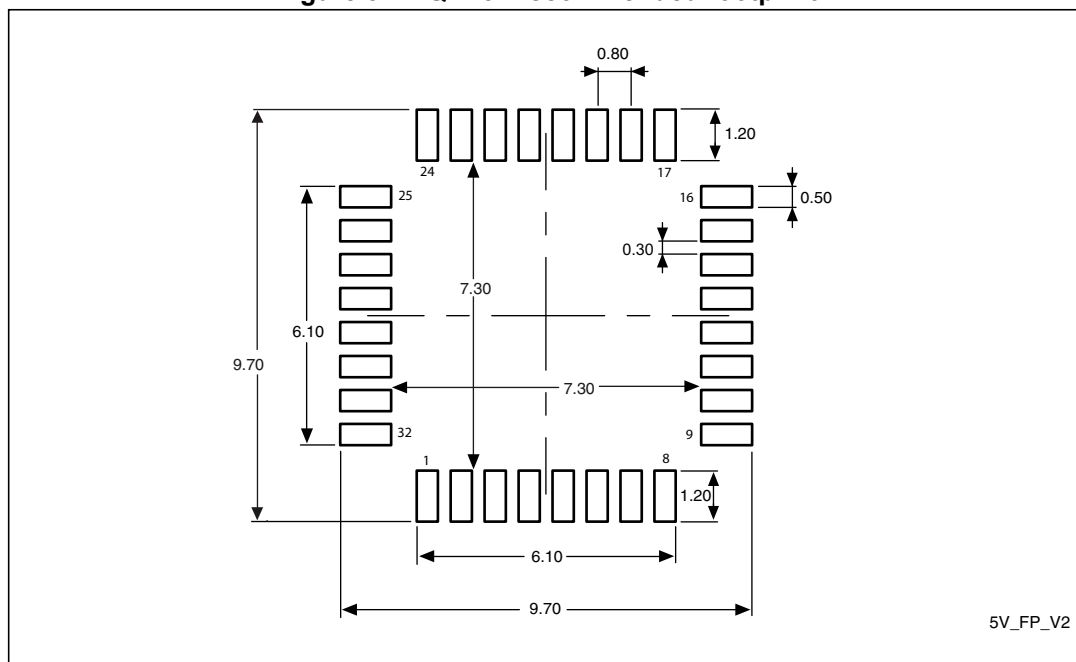
Package characteristics

Table 61. LQFP32 - 7 x 7mm 32-pin low-profile quad flat package mechanical data (continued)

Symbol	millimeters			inches ⁽¹⁾		
	Min	Typ	Max	Min	Typ	Max
D1	6.800	7.000	7.200	0.2677	0.2756	0.2835
D3		5.600			0.2205	
E	8.800	9.000	9.200	0.3465	0.3543	0.3622
E1	6.800	7.000	7.200	0.2677	0.2756	0.2835
E3		5.600			0.2205	
e		0.800			0.0315	
L	0.450	0.600	0.750	0.0177	0.0236	0.0295
L1		1.000			0.0394	
k	0.0°	3.5°	7.0°	0.0°	3.5°	7.0°
ccc			0.100			0.0039

1. Values in inches are converted from mm and rounded to 4 decimal digits.

Figure 34. LQFP32 recommended footprint



1. Drawing is not to scale.
2. Dimensions are in millimeters.

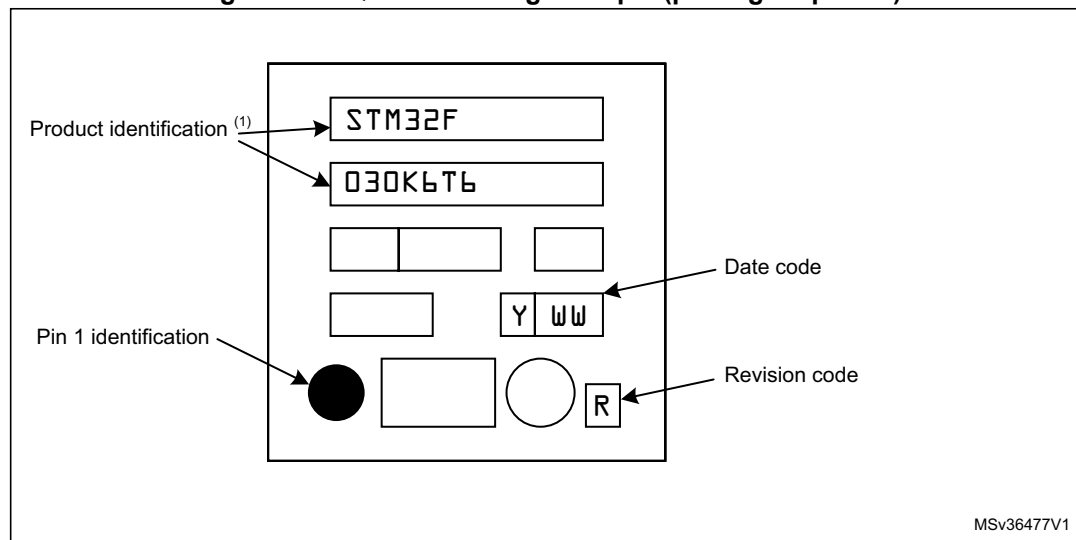
Package characteristics

STM32F030x4/6/8/C

Device marking for LQFP32

The following figure shows the device marking for the LQFP32 package.

Figure 35. LQFP32 marking example (package top view)

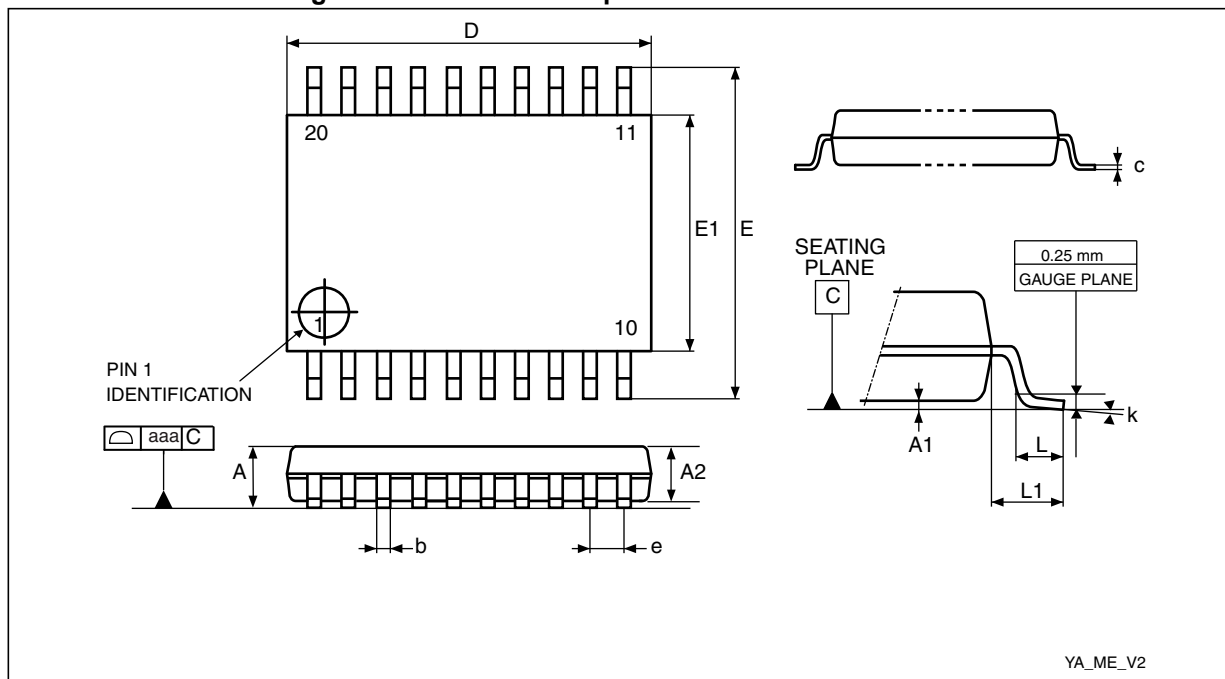


1. Parts marked as "ES", "E" or accompanied by an Engineering Sample notification letter, are not yet qualified and therefore not yet ready to be used in production and any consequences deriving from such usage will not be at ST charge. In no event, ST will be liable for any customer usage of these engineering samples in production. ST Quality has to be contacted prior to any decision to use these Engineering samples to run qualification activity.

STM32F030x4/6/8/C

Package characteristics

Figure 36. TSSOP20 - 20-pin thin shrink small outline



1. Drawing is not to scale.

Table 62. TSSOP20 - 20-pin thin shrink small outline package mechanical data

Symbol	millimeters			inches ⁽¹⁾		
	Min	Typ	Max	Min	Typ	
A		-	1.2	-	-	0.0472
A1	0.05	-	0.15	0.002	-	0.0059
A2	0.8	1	1.05	0.0315	0.0394	0.0413
b	0.19		0.3	0.0075	-	0.0118
c	0.09		0.2	0.0035	-	0.0079
D ⁽²⁾	6.4	6.5	6.6	0.252	0.2559	0.2598
E	6.2	6.4	6.6	0.2441	0.252	0.2598
E1 ⁽³⁾	4.3	4.4	4.5	0.1693	0.1732	0.1772
e	-	0.65	-	-	0.0256	-
L	0.45	0.6	0.75	0.0177	0.0236	0.0295
L1	-	1	-	-	0.0394	-
k	0.0°	-	8.0°	0.0°	-	8.0°
aaa	-	-	0.1	-	-	0.0039

1. Values in inches are converted from mm and rounded to 4 decimal digits.

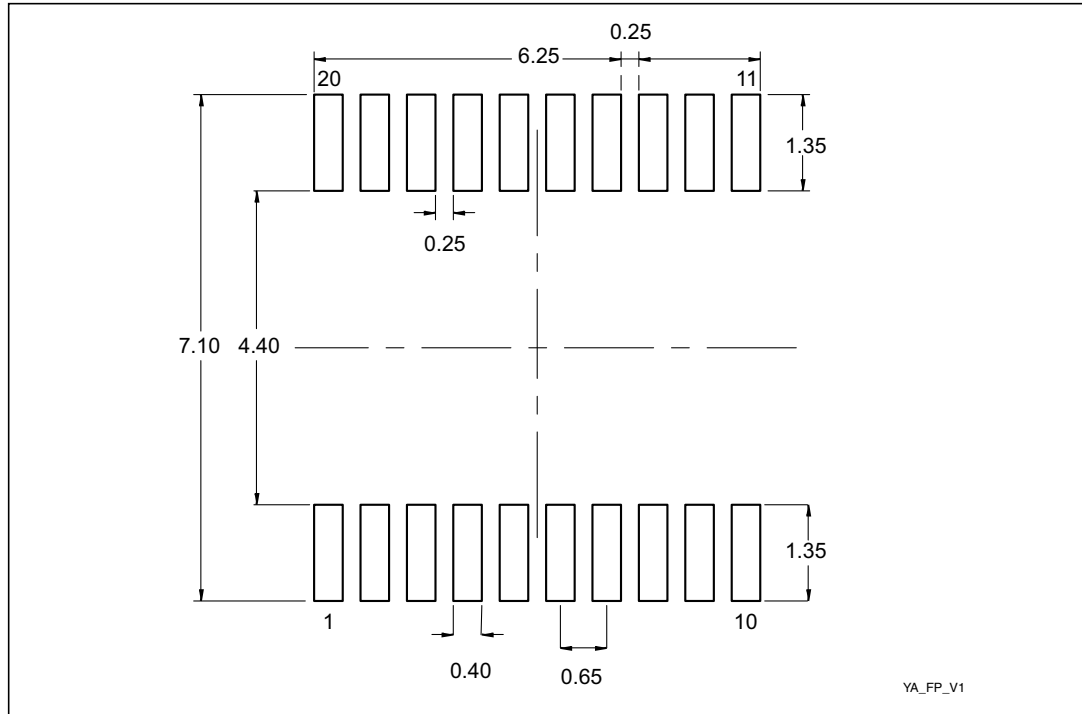
2. Dimension "D" does not include mold flash, protrusions or gate burrs. Mold flash, protrusions or gate burrs shall not exceed 0.15mm per side.

3. Dimension "E1" does not include interlead flash or protrusions. Interlead flash or protrusions shall not exceed 0.25mm per side.

Package characteristics

STM32F030x4/6/8/C

Figure 37. TSSOP20 recommended footprint

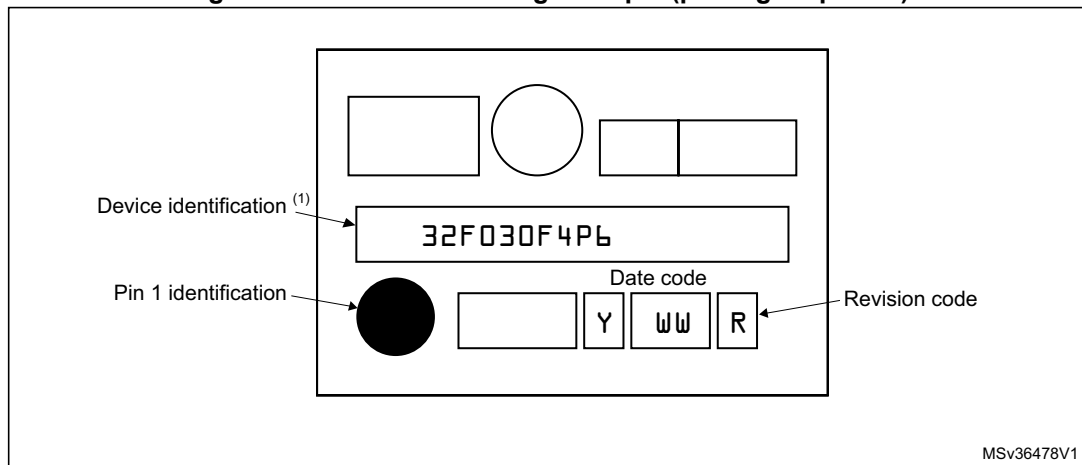


1. Dimensions are in millimeters.

Device marking for TSSOP20

The following figure shows the device marking for the TSSOP20 package.

Figure 38. TSSOP20 marking example (package top view)



1. Parts marked as "ES", "E" or accompanied by an Engineering Sample notification letter, are not yet qualified and therefore not yet ready to be used in production and any consequences deriving from such usage will not be at ST charge. In no event, ST will be liable for any customer usage of these engineering samples in production. ST Quality has to be contacted prior to any decision to use these Engineering samples to run qualification activity.

7.2 Thermal characteristics

The maximum chip junction temperature (T_{Jmax}) must never exceed the values given in *Table 21: General operating conditions*.

The maximum chip-junction temperature, T_{Jmax} , in degrees Celsius, may be calculated using the following equation:

$$T_{Jmax} = T_{Amax} + (P_{Dmax} \times \Theta_{JA})$$

Where:

- T_{Amax} is the maximum ambient temperature in °C,
- Θ_{JA} is the package junction-to-ambient thermal resistance, in °C/W,
- P_{Dmax} is the sum of P_{INTmax} and $P_{I/Omax}$ ($P_{Dmax} = P_{INTmax} + P_{I/Omax}$),
- P_{INTmax} is the product of I_{DD} and V_{DD} , expressed in Watts. This is the maximum chip internal power.

$P_{I/Omax}$ represents the maximum power dissipation on output pins where:

$$P_{I/Omax} = \Sigma (V_{OL} \times I_{OL}) + \Sigma ((V_{DD} - V_{OH}) \times I_{OH}),$$

taking into account the actual V_{OL} / I_{OL} and V_{OH} / I_{OH} of the I/Os at low and high level in the application.

Table 63. Package thermal characteristics

Symbol	Parameter	Value	Unit
Θ_J	Thermal resistance junction-ambient LQFP64 - 10 mm x 10 mm	44	°C/W
	Thermal resistance junction-ambient LQFP48 - 7 mm x 7 mm	55	
	Thermal resistance junction-ambient LQFP32 - 7 mm x 7 mm	56	
	Thermal resistance junction-ambient TSSOP20 - 6.5 mm x 6.4 mm	76	

7.2.1 Reference document

JESD51-2 Integrated Circuits Thermal Test Method Environment Conditions - Natural Convection (Still Air). Available from www.jedec.org

8 Part numbering

For a list of available options (memory, package, and so on) or for further information on any aspect of this device, please contact your nearest ST sales office.

Table 64. Ordering information scheme

Example:	STM32	F	030	C	6	T	6	x
Device family	STM32 = ARM-based 32-bit microcontroller							
Product type	F = General-purpose							
Sub-family	030 = STM32F030xx							
Pin count	F = 20 pins K = 32 pins C = 48 pins R = 64 pins							
Code size	4 = 16 Kbytes of Flash memory 6 = 32 Kbytes of Flash memory 8 = 64 Kbytes of Flash memory C = 256 Kbytes of Flash memory							
Package	P = TSSOP T = LQFP							
Temperature range	6 = -40 to 85 °C							
Options	xxx = programmed parts TR = tape and reel							

9 Revision history

Table 65. Document revision history

Date	Revision	Changes
04-Jul-2013	1	Initial release.
15-Jan-2015	2	Extended the applicability to STM32F030xC. Updated: <ul style="list-style-type: none"> – <i>Features and Table 1: Device summary</i> – <i>Section 2: Description</i> – <i>Table 2: STM32F030x4/6/8/C family device features and peripheral counts</i> – <i>Table 1: Block diagram</i> – <i>Section 3.2: Memories</i> – <i>Section 3.7: General-purpose inputs/outputs (GPIOs)</i> – <i>Section 3.14: Universal synchronous/asynchronous receiver transmitters (USART)</i> – <i>Table 11: STM32F030x4/6/8/C pin definitions</i> – <i>Table 12: Alternate functions selected through GPIOA_AFR registers for port A</i> – <i>Table 13: Alternate functions selected through GPIOB_AFR registers for port B</i> – <i>Table 14: Alternate functions selected through GPIOC_AFR registers for port C</i> – <i>Table 15: Alternate functions selected through GPIOD_AFR registers for port D</i> – <i>Table 16: Alternate functions selected through GPIOF_AFR registers for port F</i> – <i>Section 6.3.11: EMC characteristics</i> – <i>Section 8: Part numbering</i> Added device marking examples: <ul style="list-style-type: none"> – <i>Figure 29: LQFP64 marking example (package top view)</i> – <i>Figure 32: LQFP48 marking example (package top view)</i> – <i>Figure 35: LQFP32 marking example (package top view)</i> – <i>Figure 38: TSSOP20 marking example (package top view)</i>

STM32F030x4/6/8/C

IMPORTANT NOTICE – PLEASE READ CAREFULLY

STMicroelectronics NV and its subsidiaries (“ST”) reserve the right to make changes, corrections, enhancements, modifications, and improvements to ST products and/or to this document at any time without notice. Purchasers should obtain the latest relevant information on ST products before placing orders. ST products are sold pursuant to ST’s terms and conditions of sale in place at the time of order acknowledgement.

Purchasers are solely responsible for the choice, selection, and use of ST products and ST assumes no liability for application assistance or the design of Purchasers’ products.

No license, express or implied, to any intellectual property right is granted by ST herein.

Resale of ST products with provisions different from the information set forth herein shall void any warranty granted by ST for such product.

ST and the ST logo are trademarks of ST. All other product or service names are the property of their respective owners.

Information in this document supersedes and replaces information previously supplied in any prior versions of this document.

© 2015 STMicroelectronics – All rights reserved